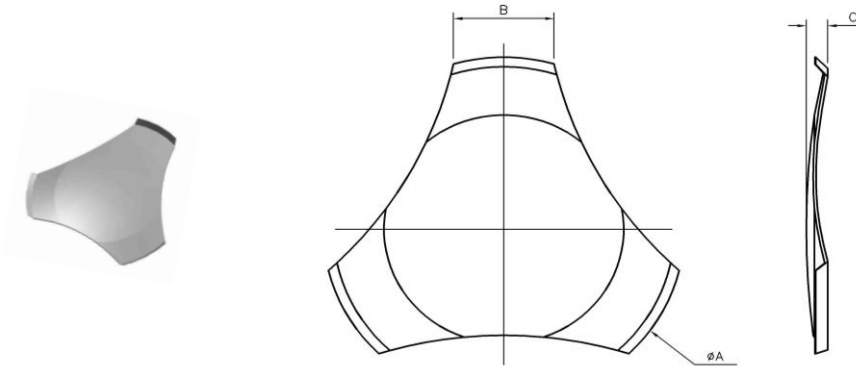


3-LEG



Outer Diameter ØA	Part No.	Material Thickness	Leg Width B	Height C	Trip Force	Plating	Contact Life cycle	PCB Layout Suggestion	
								Single Sided	Double Sided
12.2 mm	12.2-3-LEG-280	0.10	3.4	0.70 ±0.05	280 g ±30	bare	>1,000,000	TBA	TBA
	SG 12.2-3-LEG-280	0.10	3.4	0.70 ±0.05	280 g ±30	gold on contact side	TBA	TBA	TBA

REMARK:

Information up to 15/01/2017.

All dimensions in millimeter unless otherwise specified.

Dimensions in brackets are the design value, there may be a slight difference in actual product.

All dimensions subject to change without any notice.