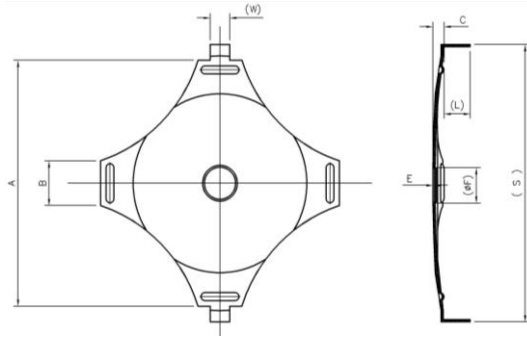


4-LEG-D-W



Outer Dimension ØA	Part No.	Material Thickness	Leg Width B	Height C	Width of Wing W	Length of Wing L	Wing Span S	Dimple Depth E	Dimple Diameter ØF	Trip Force	Plating	Contact Life cycle	PCB Layout Suggestion	
													Single Sided	Double
11 mm	11-4-LEG-D-W-280	0.10	2.00	0.56 ±0.05	0.90	(1.2)	(12.4 ~ 12.9)	0.05 ±0.04	(Ø 1.6)	280g ±30	bare	TBA	TBA	TBA
	SG 11-4-LEG-D-W-280	0.10	2.00	0.56 ±0.05	0.90	(1.2)	(12.4 ~ 12.9)	0.05 ±0.04	(Ø 1.6)	280g ±30	gold on contact side	TBA	TBA	TBA

REMARK:

Information up to 15/01/2017.

All dimensions in millimeter unless otherwise specified.

Dimensions in brackets are the design value, there may be a slight difference in actual product.

All dimensions subject to change without any notice.