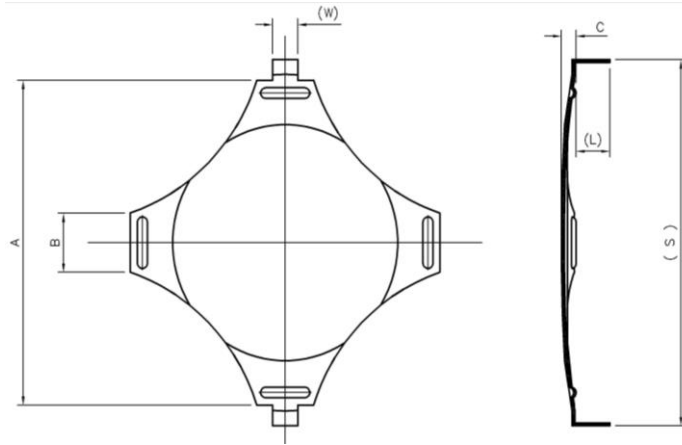
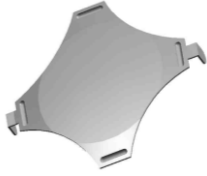


4-LEG-W



Outer Dimension ØA	Part No.	Material Thickness	Leg Width B	Height C	Width of Wing W	Length of Wing L	Wing Span S	Trip Force	Plating	Contact Life cycle	PCB Layout Suggestion	
											Single Sided	Double Sided
11 mm	11-4-LEG-W-280	0.10	2.00	0.60 ±0.05	0.90	(1.2)	(12.4 ~ 12.9)	280g ±30	bare	>500,000	TBA	TBA
	SG 11-4-LEG-W-280	0.10	2.00	0.58 ±0.05	0.09	(1.2)	(12.4 ~ 12.9)	280 ±30	gold on contact side	TBA	TBA	TBA

REMARK:

Information up to 15/01/2017.

All dimensions in millimeter unless otherwise specified.

Dimensions in brackets are the design value, there may be a slight difference in actual product.

All dimensions subject to change without any notice.