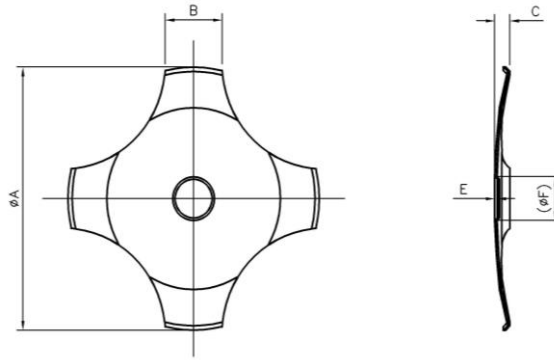


4-LEG-D



Outer Diameter øA	Part No.	Material Thickness	Leg Width B	Height C	Dimple Depth E	Dimple Diameter øF	Trip Force	Plating	Contact Life cycle	PCB Layout Suggestion	
										Single Sided	Double Sided
6 mm	6-4-LEG-D-170	0.06	1.23	0.43 ±0.05	0.08 ±0.05	(ø 1.2)	170 g ±30	bare	TBA	TBA	TBA
	6-4-LEG-D-180	0.06	1.23	0.43 ±0.05	0.06 ±0.05	(ø 1.2)	180 g ±30	bare	>50,000	TBA	TBA
	6-4-LEG-D-230 (2.5M)	0.06	1.23	0.45 ±0.05	0.06 ±0.03	(ø 1.2)	230 g ±30	bare	TBA	TBA	TBA
	6-4-LEG-D-250	0.06	1.23	0.49 ±0.05	0.08 ±0.05	(ø 1.2)	250 g ±30	bare	TBA	TBA	TBA
	6-4-LEG-D-280	0.06	1.23	0.48 ±0.05	0.06 ±0.04	(ø 1.2)	280 g ±30	bare	TBA	TBA	TBA
	A6-4-LEG-D-280 (2.5M)	0.06	1.23	0.50 ±0.05	0.05 ±0.05	(ø 1.2)	280 g ±30	bare	TBA	TBA	TBA
	DN 6-4-LEG-D-230	0.06	1.23	0.47 ±0.05	0.08 ±0.05	(ø 1.2)	230 g ±30	nickel on both side	TBA	TBA	TBA
	DN 6-4-LEG-D-280	0.06	1.23	0.50 ±0.05	0.05 ±0.03	(ø 1.2)	280 g ±30	nickel on both side	TBA	TBA	TBA
	SG 6-4-LEG-D-180	0.06	1.23	0.44 ±0.05	0.08 ±0.05	(ø 1.2)	180 g ±30	gold on contact side	TBA	TBA	TBA
	SG 6-4-LEG-D-230	0.06	1.23	0.46 ±0.05	0.08 ±0.05	(ø 1.2)	230 g ±30	gold on contact side	TBA	TBA	TBA
7 mm	7-4-LEG-D-200	0.06	1.58	0.43 ±0.05	0.06 ±0.04	(ø 1.2)	200 g ±30	bare	TBA	TBA	TBA
	7-4-LEG-D-280	0.08	1.58	0.47 ±0.05	0.06 ±0.04	(ø 1.2)	280 g ±30	bare	TBA	TBA	TBA
	7-4-LEG-D-400	0.08	1.58	0.50 ±0.05	0.06 ±0.04	(ø 1.2)	400 g ±30	bare	TBA	TBA	TBA
	DN 7-4-LEG-D-280	0.08	1.58	0.47 ±0.05	0.06 ±0.04	(ø 1.2)	280 g ±30	nickel on both side	TBA	TBA	TBA
	DN 7-4-LEG-D-400	0.08	1.58	0.50 ±0.05	0.06 ±0.04	(ø 1.2)	400 g ±30	nickel on both side	TBA	TBA	TBA
8.4 mm	8.4-4-LEG-D-150	0.08	1.79	0.41 ±0.05	0.08 ±0.05	(ø 1.4)	150 g ±30	bare	TBA	TBA	TBA
	8.4-4-LEG-D-180	0.08	1.9	0.45 ±0.05	0.06 ±0.04	(ø 1.4)	180 g ±30	bare	TBA	TBA	TBA
	8.4-4-LEG-D-200	0.08	1.79	0.47 ±0.05	0.08 ±0.05	(ø 1.4)	200 g ±30	bare	TBA	TBA	TBA
	8.4-4-LEG-D-200-6C	0.06	1.79	0.52 ±0.05	0.06 ±0.04	(ø 1.4)	200 g ±30	bare	TBA	TBA	TBA
	8.4-4-LEG-D-230	0.08	1.79	0.50 ±0.05	0.08 ±0.05	(ø 1.4)	230 g ±30	bare	TBA	TBA	TBA
	8.4-4-LEG-D-260	0.08	1.79	0.50 ±0.05	0.08 ±0.05	(ø 1.4)	260 g ±30	bare	>300,000	TBA	TBA
	8.4-4-LEG-D-280	0.08	1.79	0.51 ±0.05	0.08 ±0.05	(ø 1.4)	280 g ±30	bare	>100,000	TBA	TBA
	8.4-4-LEG-D-320	0.08	1.79	0.54 ±0.05	0.08 ±0.05	(ø 1.4)	320 g ±30	bare	TBA	TBA	TBA
	8.4-4-LEG-D-350	0.08	1.79	0.56 ±0.05	0.08 ±0.05	(ø 1.4)	350 g ±30	bare	>50,000	TBA	TBA
	8.4-4-LEG-D-400	0.08	1.79	0.60 ±0.05	0.08 ±0.05	(ø 1.4)	400 g ±30	bare	TBA	TBA	TBA
	8.4-4-LEG-D-450	0.08	1.79	0.62 ±0.05	0.08 ±0.05	(ø 1.4)	450 g ±30	bare	>10,000	TBA	TBA
	DN 8.4-4-LEG-D-200	0.08	1.79	0.47 ±0.05	0.06 ±0.04	(ø 1.4)	200 g ±30	nickel on both side	#####	TBA	TBA
	DN 8.4-4-LEG-D-260 (2M)	0.08	1.79	0.50 ±0.05	0.08 ±0.05	(ø 1.4)	260 g ±30	nickel on both side	>50,000	TBA	TBA
	DN 8.4-4-LEG-D-280	0.08	1.79	0.52 ±0.05	0.08 ±0.05	(ø 1.4)	280 g ±30	nickel on both side	TBA	TBA	TBA
	DN 8.4-4-LEG-D-320	0.08	1.79	0.54 ±0.05	0.08 ±0.05	(ø 1.4)	320 g ±30	nickel on both side	TBA	TBA	TBA
	DN 8.4-4-LEG-D-350	0.08	1.79	0.57 ±0.05	0.08 ±0.05	(ø 1.4)	350 g ±30	nickel on both side	TBA	TBA	TBA
	DN 12-RDF-350	0.12	0.6	0.05 ±0.10	0.05 ±0.05	(ø 350.0)	30 g ±30	1000000			
	DN 8.4-4-LEG-D-400	0.08	1.79	0.60 ±0.05	0.08 ±0.05	(ø 1.4)	400 g ±30	nickel on both side	TBA	TBA	TBA
	NP 8.4-4-LEG-D-200	0.08	1.79	0.48 ±0.05	0.06 ±0.03	(ø 1.4)	200 g ±30	nickel on contact side	>500,000	TBA	TBA
	NP 8.4-4-LEG-D-260 (2M)	0.08	1.79	0.50 ±0.05	0.08 ±0.05	(ø 1.4)	260 g ±30	nickel on contact side	>300,000	TBA	TBA
	NP 8.4-4-LEG-D-280	0.08	1.79	0.52 ±0.05	0.08 ±0.05	(ø 1.4)	280 g ±30	nickel on contact side	TBA	TBA	TBA
	NP 8.4-4-LEG-D-320	0.08	1.79	0.54 ±0.05	0.08 ±0.05	(ø 1.4)	320 g ±30	nickel on contact side	TBA	TBA	TBA
NP 8.4-4-LEG-D-350	0.08	1.79	0.55 ±0.05	0.08 ±0.05	(ø 1.4)	350 g ±30	nickel on contact side	TBA	TBA	TBA	
NP 8.4-4-LEG-D-400	0.08	1.79	0.58 ±0.05	0.08 ±0.05	(ø 1.4)	400 g ±30	nickel on contact side	TBA	TBA	TBA	

REMARK:

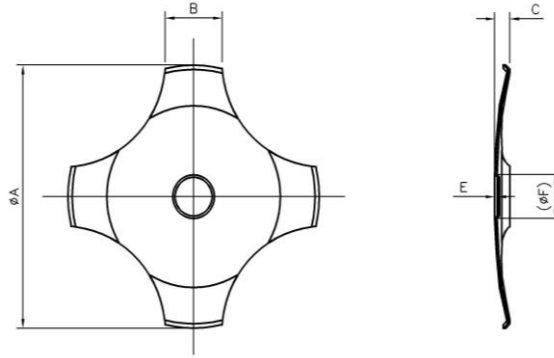
Information up to 15/01/2017.

All dimensions in millimeter unless otherwise specified.

Dimensions in brackets are the design value, there may be a slight difference in actual product.

All dimensions subject to change without any notice.

4-LEG-D



Outer Diameter ØA	Part No.	Material Thickness	Leg Width B	Height C	Dimple Depth E	Dimple Diameter ØF	Trip Force	Plating	Contact Life cycle	PCB Layout Suggestion	
										Single Sided	Double Sided
8.4mm	SG 8.4-4-LEG-D-150	0.08	1.79	0.41 ±0.05	0.06 ±0.04	(Ø 1.4)	150 g ±30	gold on contact side	#####	TBA	TBA
	SG 8.4-4-LEG-D-200	0.08	1.79	0.47 ±0.05	0.06 ±0.04	(Ø 1.4)	200 g ±30	gold on contact side	#####	TBA	TBA
	SG 8.4-4-LEG-D-220	0.08	1.79	0.46 ±0.05	0.08 ±0.05	(Ø 1.4)	220 g ±30	gold on contact side	TBA	TBA	TBA
	SG 8.4-4-LEG-D-280	0.08	1.79	0.52 ±0.05	0.08 ±0.05	(Ø 1.4)	280 g ±30	gold on contact side	>100,000	TBA	TBA
	SG 8.4-4-LEG-D-350	0.08	1.79	0.57 ±0.05	0.08 ±0.05	(Ø 1.4)	350 g ±30	gold on contact side	>100,000	TBA	TBA
	SG 8.4-4-LEG-D-400	0.08	1.79	0.60 ±0.05	0.08 ±0.05	(Ø 1.4)	400 g ±30	gold on contact side	TBA	TBA	TBA
10 mm	10-4-LEG-D-200	0.08	2.35	0.52 ±0.05	0.08 ±0.05	(Ø 1.6)	200 g ±30	bare	TBA	TBA	TBA
	10-4-LEG-D-280	0.08	2.35	0.60 ±0.05	0.08 ±0.05	(Ø 1.6)	280 g ±30	bare	>100,000	TBA	TBA
	10-4-LEG-D-320	0.08	2.35	0.62 ±0.05	0.08 ±0.05	(Ø 1.6)	320 g ±30	bare	TBA	TBA	TBA
	10-4-LEG-D-350	0.08	2.35	0.63 ±0.05	0.08 ±0.05	(Ø 1.6)	350 g ±30	bare	TBA	TBA	TBA
	10-4-LEG-D-400	0.08	2.35	0.70 ±0.05	0.08 ±0.05	(Ø 1.6)	400 g ±30	bare	TBA	TBA	TBA
	10-4-LEG-D-450	0.10	2.35	0.69 ±0.05	0.08 ±0.05	(Ø 1.6)	450 g ±30	bare	TBA	TBA	TBA
	DN 10-4-LEG-D-200	0.08	2.35	0.54 ±0.05	0.08 ±0.05	(Ø 1.6)	200 g ±30	nickel on both side	#####	TBA	TBA
	DN 10-4-LEG-D-280	0.08	2.35	0.61 ±0.05	0.08 ±0.05	(Ø 1.6)	280 g ±30	nickel on both side	>100,000	TBA	TBA
	DN 10-4-LEG-D-320	0.08	2.35	0.63 ±0.05	0.08 ±0.05	(Ø 1.6)	320 g ±30	nickel on both side	TBA	TBA	TBA
	DN 10-4-LEG-D-350	0.08	2.35	0.67 ±0.05	0.08 ±0.05	(Ø 1.6)	350 g ±30	nickel on both side	TBA	TBA	TBA
	DN 10-4-LEG-D-450	0.10	2.35	0.70 ±0.05	0.08 ±0.05	(Ø 1.6)	450 g ±50	nickel on both side	TBA	TBA	TBA
	SG 10-4-LEG-D-200	0.08	2.35	0.52 ±0.05	0.08 ±0.05	(Ø 1.6)	200 g ±30	gold on contact side	#####	TBA	TBA
	SG 10-4-LEG-D-250	0.08	2.35	0.55 ±0.05	0.08 ±0.05	(Ø 1.6)	250 g ±30	gold on contact side	TBA	TBA	TBA
	SG 10-4-LEG-D-280	0.08	2.35	0.61 ±0.05	0.08 ±0.05	(Ø 1.6)	280 g ±30	gold on contact side	>100,000	TBA	TBA
	SG 10-4-LEG-D-300	0.08	2.35	0.62 ±0.05	0.08 ±0.05	(Ø 1.6)	300 g ±30	gold on contact side	TBA	TBA	TBA
	SG 10-4-LEG-D-320	0.08	2.35	0.63 ±0.05	0.08 ±0.05	(Ø 1.6)	320 g ±30	gold on contact side	TBA	TBA	TBA
	SG 10-4-LEG-D-350	0.08	2.35	0.65 ±0.05	0.08 ±0.05	(Ø 1.6)	350 g ±30	gold on contact side	TBA	TBA	TBA
	SG 10-4-LEG-D-400	0.08	2.35	0.70 ±0.05	0.08 ±0.05	(Ø 1.6)	400 g ±30	gold on contact side	TBA	TBA	TBA
10.5 mm	10.5-4-LEG-D-270	0.10	2.25	0.64 ±0.05	0.06 ±0.05	(Ø 1.6)	270 g ±30	bare	#####	TBA	TBA
12 mm	12.2-4-LEG-D-200	0.10	2.65	0.55 ±0.05	0.08 ±0.05	(Ø 1.6)	200 g ±30	bare	TBA	TBA	TBA
	12.2-4-LEG-D-220	0.10	2.65	0.57 ±0.05	0.06 ±0.05	(Ø 1.6)	220 g ±30	bare	TBA	TBA	TBA
	12.2-4-LEG-D-250	0.10	2.65	0.58 ±0.05	0.08 ±0.05	(Ø 1.6)	250 g ±30	bare	#####	TBA	TBA
	12.2-4-LEG-D-280	0.10	2.65	0.63 ±0.05	0.08 ±0.05	(Ø 1.6)	280 g ±30	bare	#####	TBA	TBA
	12.2-4-LEG-D-300	0.10	2.65	0.65 ±0.05	0.08 ±0.05	(Ø 1.6)	300 g ±30	bare	#####	TBA	TBA
	12.2-4-LEG-D-320	0.10	2.65	0.66 ±0.05	0.08 ±0.05	(Ø 1.6)	320 g ±30	bare	>100,000	TBA	TBA
	12.2-4-LEG-D-350	0.10	2.65	0.69 ±0.05	0.08 ±0.05	(Ø 1.6)	350 g ±30	bare	#####	TBA	TBA
	12.2-4-LEG-D-400	0.10	2.65	0.77 ±0.05	0.08 ±0.05	(Ø 1.6)	400 g ±30	bare	TBA	TBA	TBA
	12.2-4-LEG-D-420	0.10	2.65	0.78 ±0.05	0.10 ±0.05	(Ø 1.6)	420 g ±30	bare	TBA	TBA	TBA
	12.2-4-LEG-D-450	0.10	2.65	0.75 ±0.05	0.10 ±0.05	(Ø 1.6)	450 g ±30	bare	#####	TBA	TBA
	12.2-4-LEG-D-480	0.10	2.65	0.81 ±0.05	0.10 ±0.05	(Ø 1.6)	480 g ±30	bare	TBA	TBA	TBA
	12.2-4-LEG-D-700	0.11	2.65	0.82 ±0.05	0.10 ±0.05	(Ø 1.6)	700 g ±30	bare	TBA	TBA	TBA

REMARK:

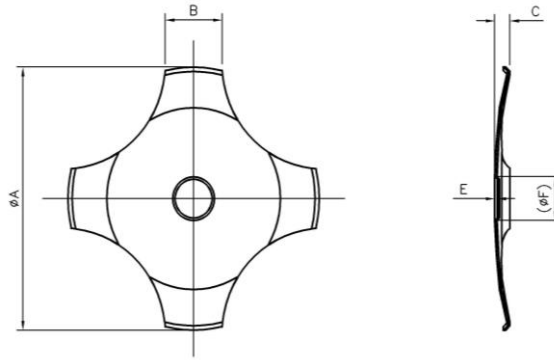
Information up to 15/01/2017.

All dimensions in millimeter unless otherwise specified.

Dimensions in brackets are the design value, there may be a slight difference in actual product.

All dimensions subject to change without any notice.

4-LEG-D



Outer Diameter øA	Part No.	Material Thickness	Leg Width B	Height C	Dimple Depth E	Dimple Diameter øF	Trip Force	Plating	Contact Life cycle	PCB Layout Suggestion	
										Single Sided	Double Sided
12 mm	S 12.2-4-LEG-D-350	0.10	2.65	0.68 ±0.05	0.08 ±0.05	(Ø 1.6)	380 g +70/-30	bare	>300,000	TBA	TBA
	DN 12.2-4-LEG-D-200	0.10	2.65	0.53 ±0.05	0.08 ±0.05	(Ø 1.6)	200 g ±30	nickel on both side	#####	TBA	TBA
	DN 12.2-4-LEG-D-250	0.10	2.65	0.60 ±0.05	0.08 ±0.05	(Ø 1.6)	250 g ±30	nickel on both side	TBA	TBA	TBA
	DN 12.2-4-LEG-D-280	0.10	2.65	0.63 ±0.05	0.08 ±0.05	(Ø 1.6)	280 g ±30	nickel on both side	#####	TBA	TBA
	DN 12.2-4-LEG-D-350	0.10	2.65	0.68 ±0.05	0.08 ±0.05	(Ø 1.6)	350 g ±30	nickel on both side	TBA	TBA	TBA
	DN 12.2-4-LEG-D-400	0.10	2.65	0.72 ±0.05	0.10 ±0.05	(Ø 1.6)	400 g ±30	nickel on both side	TBA	TBA	TBA
	DN 12.2-4-LEG-D-450	0.10	2.65	0.73 ±0.05	0.10 ±0.05	(Ø 1.6)	450 g ±30	nickel on both side	TBA	TBA	TBA
	GG 12.2-4-LEG-D-300	0.10	2.65	0.64 ±0.05	0.08 ±0.05	(Ø 1.6)	300 g ±30	gold on contact side	TBA	TBA	TBA
	SG 12.2-4-LEG-D-200	0.10	2.65	0.53 ±0.05	0.08 ±0.05	(Ø 1.6)	200 g ±30	gold on contact side	TBA	TBA	TBA
	SG 12.2-4-LEG-D-220	0.10	2.65	0.57 ±0.05	0.08 ±0.05	(Ø 1.6)	220 g ±30	gold on contact side	TBA	TBA	TBA
	SG 12.2-4-LEG-D-250	0.10	2.65	0.58 ±0.05	0.08 ±0.05	(Ø 1.6)	250 g ±30	gold on contact side	#####	TBA	TBA
	SG 12.2-4-LEG-D-280	0.10	2.65	0.63 ±0.05	0.08 ±0.05	(Ø 1.6)	280 g ±30	gold on contact side	#####	TBA	TBA
	SG 12.2-4-LEG-D-300	0.10	2.65	0.64 ±0.05	0.08 ±0.05	(Ø 1.6)	300 g ±30	gold on contact side	TBA	TBA	TBA
	SG 12.2-4-LEG-D-320	0.10	2.65	0.66 ±0.05	0.08 ±0.05	(Ø 1.6)	320 g ±30	gold on contact side	TBA	TBA	TBA
	SG 12.2-4-LEG-D-350	0.10	2.65	0.70 ±0.05	0.08 ±0.05	(Ø 1.6)	350 g ±30	gold on contact side	#####	TBA	TBA
	SG 12.2-4-LEG-D-380	0.10	2.65	0.68 ±0.05	0.08 ±0.05	(Ø 1.6)	380 g ±30	gold on contact side	TBA	TBA	TBA
	SG 12.2-4-LEG-D-400	0.10	2.65	0.74 ±0.05	0.08 ±0.05	(Ø 1.6)	400 g ±30	gold on contact side	TBA	TBA	TBA
	SG 12.2-4-LEG-D-450	0.10	2.65	0.72 ±0.05	0.10 ±0.05	(Ø 1.6)	450 g ±50	gold on contact side	TBA	TBA	TBA
SG 12.2-4-LEG-D-600	0.10	2.65	0.83 ±0.05	0.10 ±0.05	(Ø 1.6)	600 g ±30	gold on contact side	TBA	TBA	TBA	
14.2 mm	14-4-LEG-D-400	0.12	2.79	0.80 ±0.05	0.08 ±0.05	(Ø 2.0)	400 g ±30	bare	#####	TBA	TBA
	DN 14-4-LEG-D-400	0.12	2.79	0.80 ±0.05	0.08 ±0.05	(Ø 2.0)	400 g ±30	nickel on both side	#####	TBA	TBA
	DN 14-4-LEG-D-700	0.12	2.79	0.84 ±0.07	0.10 ±0.05	(Ø 2.0)	700 g ±50	nickel on both side	TBA	TBA	TBA
	SG 14-4-LEG-D-400	0.12	2.79	0.76 ±0.05	0.10 ±0.05	(Ø 2.0)	400 g ±50	gold on contact side	TBA	TBA	TBA
16 mm	16-4-LEG-D-280	0.10	3.25	0.85 ±0.05	0.10 ±0.05	(Ø 2.9)	280 g ±30	bare	TBA	TBA	TBA
	16-4-LEG-D-350	0.10	3.25	0.93 ±0.05	0.11 ±0.05	(Ø 2.9)	350 g ±30	bare	#####	TBA	TBA
	16-4-LEG-D-400	0.10	3.25	0.95 ±0.05	0.11 ±0.05	(Ø 2.9)	400 g ±30	bare	TBA	TBA	TBA
	DN 16-4-LEG-D-280	0.12	3.25	0.86 ±0.05	0.10 ±0.05	(Ø 2.9)	280 g ±30	nickel on both side	#####	TBA	TBA
	DN 16-4-LEG-D-350	0.12	3.25	0.90 ±0.05	0.12 ±0.05	(Ø 2.9)	350 g ±30	nickel on both side	#####	TBA	TBA
	DN 16-4-LEG-D-400	0.12	3.25	0.98 ±0.05	0.11 ±0.05	(Ø 2.9)	400 g ±30	nickel on both side	TBA	TBA	TBA
	SG 16-4-LEG-D-350	0.12	3.25	1.00 ±0.05	0.10 ±0.05	(Ø 2.9)	350 g ±30	gold on contact side	TBA	TBA	TBA
	SG 16-4-LEG-D-400	0.12	3.25	0.99 ±0.05	0.12 ±0.05	(Ø 2.9)	400 g ±30	gold on contact side	TBA	TBA	TBA
	SG 16-4-LEG-D-600	0.12	3.25	1.08 ±0.07	0.12 ±0.05	(Ø 2.9)	600 g ±50	gold on contact side	#####	TBA	TBA

REMARK:

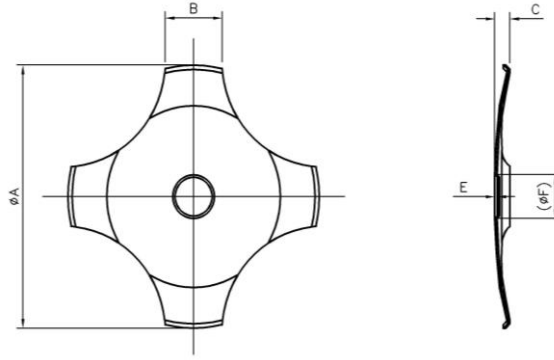
Information up to 15/01/2017.

All dimensions in millimeter unless otherwise specified.

Dimensions in brackets are the design value, there may be a slight difference in actual product.

All dimensions subject to change without any notice.

4-LEG-D



Outer Diameter øA	Part No.	Material Thickness	Leg Width B	Height C	Dimple Depth E	Dimple Diameter øF	Trip Force	Plating	Contact Life cycle	PCB Layout Suggestion	
										Single Sided	Double Sided
19.86 mm	20-4-LEG-D-350	0.12	4.02	1.04 ±0.07	0.12 ±0.05	(Ø 2.8)	350 g ±30	bare	TBA	TBA	TBA
	20-4-LEG-D-400	0.12	4.02	1.05 ±0.07	0.11 ±0.05	(Ø 2.8)	400 g ±30	bare	TBA	TBA	TBA
	DN 20-4-LEG-D-350	0.12	4.02	1.04 ±0.07	0.12 ±0.05	(Ø 2.8)	350 g ±30	nickel on both side	#####	TBA	TBA
	DN 20-4-LEG-D-400	0.12	4.02	1.08 ±0.07	0.11 ±0.05	(Ø 2.8)	400 g ±30	nickel on both side	TBA	TBA	TBA
	DN 20-4-LEG-D-600	0.12	4.02	1.40 ±0.07	0.12 ±0.05	(Ø 2.8)	600 g ±30	nickel on both side	>300,000	TBA	TBA
	SG 20-4-LEG-D-350	0.12	4.02	1.02 ±0.05	0.12 ±0.05	(Ø 2.8)	350 g ±30	gold on contact side	#####	TBA	TBA
	SG 20-4-LEG-D-400	0.12	4.02	1.02 ±0.05	0.12 ±0.05	(Ø 2.8)	400 g ±30	gold on contact side	#####	TBA	TBA
	SG 20-4-LEG-D-600	0.12	4.02	1.21 ±0.05	0.12 ±0.05	(Ø 2.8)	600 g ±50	gold on contact side	TBA	TBA	TBA

REMARK:

Information up to 15/01/2017.

All dimensions in millimeter unless otherwise specified.

Dimensions in brackets are the design value, there may be a slight difference in actual product.

All dimensions subject to change without any notice.