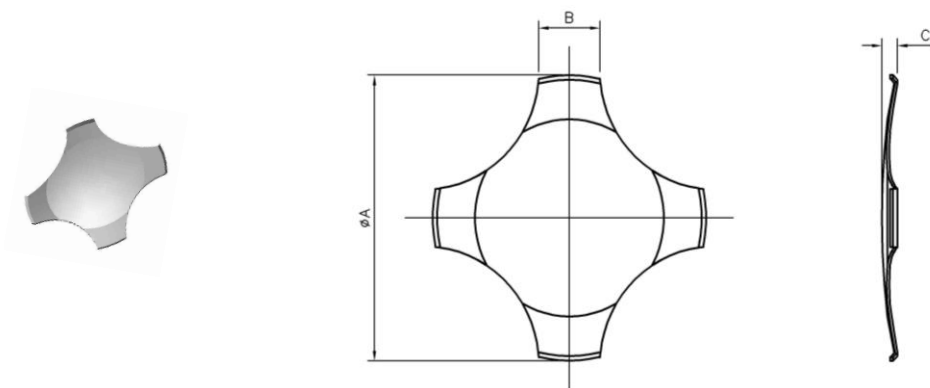


4-LEG



Outer Diameter øA	Part No.	Material Thickness	Leg Width	Height	Trip Force	Plating	Contact Life cycle	PCB Layout Suggestion	
			B	C				Single Sided	Double Sided
6 mm	6-4-LEG-120	0.06	1.23	0.36 ±0.05	120 g ±30	bare	>1,000,000	TBA	TBA
	6-4-LEG-140	0.06	1.23	0.34 ±0.05	140 g ±30	bare	>1,000,000	TBA	TBA
	6-4-LEG-140 (1.6M)	0.06	1.23	0.34 ±0.05	140 g ±30	bare	TBA	TBA	TBA
	6-4-LEG-170	0.06	1.23	0.41 ±0.05	170 g ±30	bare	>50,000	TBA	TBA
	6-4-LEG-200	0.06	1.23	0.43 ±0.05	200 g ±30	bare	>50,000	TBA	TBA
	6-4-LEG-230	0.06	1.23	0.47 ±0.05	230 g ±30	bare	>10,000	TBA	TBA
	6-4-LEG-280	0.06	1.23	0.50 ±0.05	280 g ±30	bare	>20,000	TBA	TBA
	DN 6-4-LEG-140	0.06	1.23	0.35 ±0.05	140 g ±30	nickel on both side	TBA	TBA	TBA
	DN 6-4-LEG-170	0.06	1.23	0.41 ±0.05	170 g ±30	nickel on both side	>50,000	TBA	TBA
	DN 6-4-LEG-200	0.06	1.23	0.47 ±0.05	200 g ±30	nickel on both side	>20,000	TBA	TBA
	DN 6-4-LEG-230	0.06	1.23	0.48 ±0.05	230 g ±30	nickel on both side	TBA	TBA	TBA
	SG 6-4-LEG-170	0.06	1.23	0.40 ±0.05	170 g ±30	gold on contact side	TBA	TBA	TBA
SG 6-4-LEG-230	0.06	1.23	0.47 ±0.05	230 g ±30	gold on contact side	TBA	TBA	TBA	
SG 6-4-LEG-250	0.06	1.23	0.54 ±0.05	250 g ±30	gold on contact side	TBA	TBA	TBA	
SP 6-4-LEG-230	0.06	1.23	0.47 ±0.05	230 g ±30	silver on contact side	TBA	TBA	TBA	
7 mm	7-4-LEG-180	0.06	1.55	0.43 ±0.05	180 g ±30	bare	TBA	TBA	TBA
	7-4-LEG-200	0.06	1.58	0.44 ±0.05	200 g ±30	bare	>50,000	TBA	TBA
	7-4-LEG-220	0.08	1.58	0.39 ±0.05	220 g ±30	bare	TBA	TBA	TBA
	7-4-LEG-250	0.08	1.58	0.43 ±0.05	250 g ±30	bare	TBA	TBA	TBA
	7-4-LEG-280	0.08	1.58	0.45 ±0.05	280 g ±30	bare	>10,000	TBA	TBA
	7-4-LEG-320	0.08	1.58	0.48 ±0.05	320 g ±30	bare	TBA	TBA	TBA
	7-4-LEG-350	0.08	1.58	0.49 ±0.05	350 g ±30	bare	TBA	TBA	TBA
	7-4-LEG-400	0.08	1.58	0.51 ±0.05	400 g ±30	bare	TBA	TBA	TBA
	DN 7-4-LEG-85	0.06	1.58	0.28 ±0.05	85 g ±20	nickel on both side	>2,000,000	TBA	TBA
	DN 7-4-LEG-200	0.06	1.58	0.44 ±0.05	200 g ±30	nickel on both side	>50,000	TBA	TBA
	DN 7-4-LEG-280	0.08	1.58	0.44 ±0.05	280 g ±30	nickel on both side	TBA	TBA	TBA
	DN 7-4-LEG-320	0.08	1.58	0.45 ±0.05	320 g ±30	nickel on both side	TBA	TBA	TBA
	DN 7-4-LEG-350	0.08	1.58	0.44 ±0.05	350 g ±30	nickel on both side	TBA	TBA	TBA
	DN 7-4-LEG-400	0.08	1.58	0.49 ±0.05	400 g ±30	nickel on both side	TBA	TBA	TBA
SG 7-4-LEG-180	0.06	1.55	0.42 ±0.05	180 g ±30	gold on contact side	TBA	TBA	TBA	
8.4 mm	8.4-4-LEG-150	0.08	1.79	0.41 ±0.05	150 g ±30	bare	TBA	TBA	TBA
	8.4-4-LEG-180	0.08	1.79	0.43 ±0.05	180 g ±30	bare	TBA	TBA	TBA
	8.4-4-LEG-200	0.08	1.79	0.44 ±0.05	200 g ±30	bare	>1,000,000	TBA	TBA
	8.4-4-LEG-260	0.08	1.79	0.46 ±0.05	260 g ±30	bare	>50,000	TBA	TBA
	8.4-4-LEG-280	0.08	1.79	0.48 ±0.05	280 g ±30	bare	>300,000	TBA	TBA

REMARK:

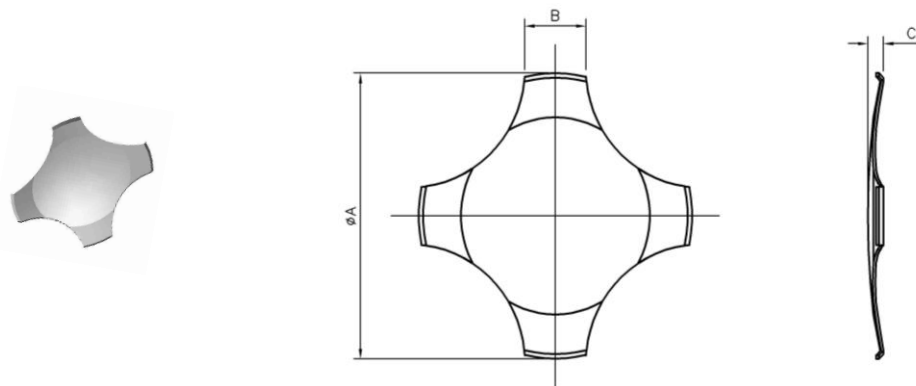
Information up to 15/01/2017.

All dimensions in millimeter unless otherwise specified.

Dimensions in brackets are the design value, there may be a slight difference in actual product.

All dimensions subject to change without any notice.

4-LEG



Outer Diameter øA	Part No.	Material Thickness	Leg Width B	Height C	Trip Force	Plating	Contact Life cycle	PCB Layout Suggestion	
								Single Sided	Double Sided
8.4 mm	8.4-4-LEG-320	0.08	1.79	0.51 ±0.05	320 g ±30	bare	TBA	TBA	TBA
	8.4-4-LEG-350	0.08	1.79	0.54 ±0.05	350 g ±30	bare	>50,000	TBA	TBA
	8.4-4-LEG-400	0.08	1.79	0.58 ±0.05	400 g ±30	bare	>10,000	TBA	TBA
	8.4-4-LEG-450	0.08	1.79	0.60 ±0.05	450 g ±30	bare	TBA	TBA	TBA
	DN 8.4-4-LEG-150	0.08	1.79	0.42 ±0.05	150 g ±30	nickel on both side	>1,000,000	TBA	TBA
	DN 8.4-4-LEG-200	0.08	1.79	0.44 ±0.05	200 g ±30	nickel on both side	TBA	TBA	TBA
	DN 8.4-4-LEG-280	0.08	1.79	0.48 ±0.05	280 g ±30	nickel on both side	>1,000,000	TBA	TBA
	DN 8.4-4-LEG-340	0.08	1.79	0.54 ±0.05	340 g ±30	nickel on both side	TBA	TBA	TBA
	DN 8.4-4-LEG-350	0.08	1.79	0.54 ±0.05	350 g ±30	nickel on both side	TBA	TBA	TBA
	DN 8.4-4-LEG-400	0.08	1.79	0.56 ±0.05	400 g ±30	nickel on both side	TBA	TBA	TBA
	NP 8.4-4-LEG-200	0.08	1.79	0.41 ±0.05	200 g ±30	nickel on contact side	TBA	TBA	TBA
	NP 8.4-4-LEG-230	0.08	1.79	0.43 ±0.05	230 g ±30	nickel on contact side	TBA	TBA	TBA
	NP 8.4-4-LEG-280	0.08	1.79	0.45 ±0.05	280 g ±30	nickel on contact side	TBA	TBA	TBA
	NP 8.4-4-LEG-350	0.08	1.79	0.52 ±0.05	350 g ±30	nickel on contact side	TBA	TBA	TBA
	SG 8.4-4-LEG-150	0.08	1.79	0.42 ±0.05	150 g ±30	gold on contact side	>1,000,000	TBA	TBA
	SG 8.4-4-LEG-200	0.08	1.79	0.42 ±0.05	200 g ±30	gold on contact side	>1,000,000	TBA	TBA
	SG 8.4-4-LEG-280	0.08	1.79	0.48 ±0.05	280 g ±30	gold on contact side	>300,000	TBA	TBA
	SG 8.4-4-LEG-350	0.08	1.79	0.54 ±0.05	350 g ±30	gold on contact side	>50,000	TBA	TBA
SG 8.4-4-LEG-400	0.08	1.79	0.57 ±0.05	400 g ±30	gold on contact side	TBA	TBA	TBA	
10 mm	10-4-LEG-150	0.08	2.35	0.45 ±0.05	150 g ±30	bare	>1,000,000	TBA	TBA
	10-4-LEG-180	0.08	2.35	0.48 ±0.05	180 g ±30	bare	TBA	TBA	TBA
	10-4-LEG-200	0.08	2.35	0.49 ±0.05	200 g ±30	bare	TBA	TBA	TBA
	10-4-LEG-280	0.10	2.35	0.51 ±0.05	280 g ±30	bare	>500,000	TBA	TBA
	10-4-LEG-320	0.10	2.35	0.54 ±0.05	320 g ±30	bare	>500,000	TBA	TBA
	10-4-LEG-340	0.10	2.35	0.56 ±0.05	340 g ±30	bare	>100,000	TBA	TBA
	10-4-LEG-350	0.10	2.35	0.56 ±0.05	350 g ±30	bare	TBA	TBA	TBA
	10-4-LEG-400	0.10	2.35	0.60 ±0.05	400 g ±30	bare	TBA	TBA	TBA
	10-4-LEG-450	0.10	2.35	0.70 ±0.05	450 g ±30	bare	TBA	TBA	TBA
	DN 10-4-LEG-200	0.08	2.35	0.50 ±0.05	200 g ±30	nickel on both side	>1,000,000	TBA	TBA
	DN 10-4-LEG-280	0.10	2.35	0.52 ±0.05	280 g ±30	nickel on both side	TBA	TBA	TBA
	DN 10-4-LEG-320	0.10	2.35	0.53 ±0.05	320 g ±30	nickel on both side	>1,000,000	TBA	TBA
	DN 10-4-LEG-350	0.10	2.35	0.55 ±0.05	350 g ±30	nickel on both side	>1,000,000	TBA	TBA
	DN 10-4-LEG-400	0.10	2.35	0.60 ±0.05	400 g ±30	nickel on both side	TBA	TBA	TBA
	SG 10-4-LEG-190	0.08	2.35	0.50 ±0.05	190 g ±30	gold on contact side	TBA	TBA	TBA
	SG 10-4-LEG-200	0.08	2.35	0.50 ±0.05	200 g ±30	gold on contact side	TBA	TBA	TBA
	SG 10-4-LEG-280	0.10	2.35	0.51 ±0.05	280 g ±30	gold on contact side	TBA	TBA	TBA
	SG 10-4-LEG-320	0.10	2.35	0.52 ±0.05	320 g ±30	gold on contact side	TBA	TBA	TBA
SG 10-4-LEG-350	0.10	2.35	0.53 ±0.05	350 g ±30	gold on contact side	>100,000	TBA	TBA	
SG 10-4-LEG-400	0.10	2.35	0.60 ±0.05	400 g ±30	gold on contact side	>100,000	TBA	TBA	

REMARK:

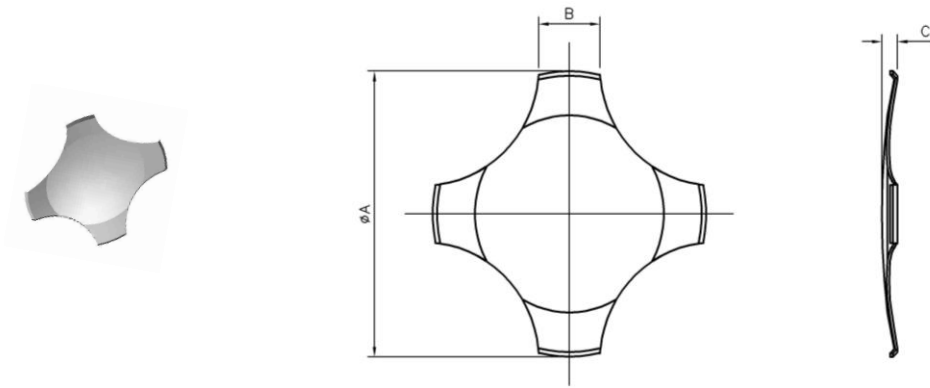
Information up to 15/01/2017.

All dimensions in millimeter unless otherwise specified.

Dimensions in brackets are the design value, there may be a slight difference in actual product.

All dimensions subject to change without any notice.

4-LEG



Outer Diameter øA	Part No.	Material Thickness	Leg Width	Height	Trip Force	Plating	Contact Life cycle	PCB Layout Suggestion	
			B	C				Single Sided	Double Sided
12 mm	12.2-4-LEG-150	0.10	2.65	0.49 ±0.05	150 g ±30	bare	>1,000,000	TBA	TBA
	12.2-4-LEG-200	0.10	2.65	0.51 ±0.05	200 g ±30	bare	>1,000,000	TBA	TBA
	12.2-4-LEG-240	0.10	2.65	0.53 ±0.05	240 g ±30	bare	>1,000,000	TBA	TBA
	12.2-4-LEG-280	0.10	2.65	0.58 ±0.05	280 g ±30	bare	>1,000,000	TBA	TBA
	12.2-4-LEG-320	0.10	2.65	0.63 ±0.05	320 g ±30	bare	>1,000,000	TBA	TBA
	12.2-4-LEG-340	0.10	2.65	0.66 ±0.05	340 g ±30	bare	>1,000,000	TBA	TBA
	12.2-4-LEG-350	0.10	2.65	0.67 ±0.05	350 g ±30	bare	>1,000,000	TBA	TBA
	12.2-4-LEG-400	0.10	2.65	0.71 ±0.05	400 g ±30	bare	>50,000	TBA	TBA
	12.2-4-LEG-450	0.10	2.65	0.73 ±0.05	450 g ±30	bare	TBA	TBA	TBA
	12.2-4-LEG-700	0.12	2.65	0.81 ±0.05	700 g ±50	bare	>50,000	TBA	TBA
	DN 12.2-4-LEG-150	0.10	2.65	0.49 ±0.05	150 g ±30	nickel on both side	>1,000,000	TBA	TBA
	DN 12.2-4-LEG-200	0.10	2.65	0.49 ±0.05	200 g ±30	nickel on both side	>1,000,000	TBA	TBA
	DN 12.2-4-LEG-250	0.10	2.65	0.56 ±0.05	250 g ±30	nickel on both side	TBA	TBA	TBA
	DN 12.2-4-LEG-320	0.10	2.65	0.63 ±0.05	320 g ±30	nickel on both side	>1,000,000	TBA	TBA
	DN 12.2-4-LEG-350	0.10	2.65	0.66 ±0.05	350 g ±30	nickel on both side	>1,000,000	TBA	TBA
	DN 12.2-4-LEG-400	0.10	2.65	0.70 ±0.05	400 g ±30	nickel on both side	TBA	TBA	TBA
	DN 12.2-4-LEG-450	0.10	2.65	0.75 ±0.05	450 g ±30	nickel on both side	TBA	TBA	TBA
	GG 12.2-4-LEG-280	0.10	2.65	0.58 ±0.05	280 g ±30	gold on contact side	>1,000,000	TBA	TBA
	SG 12.2-4-LEG-150	0.10	2.65	0.47 ±0.05	150 g ±30	gold on contact side	>1,000,000	TBA	TBA
	SG 12.2-4-LEG-200	0.10	2.65	0.52 ±0.05	200 g ±30	gold on contact side	TBA	TBA	TBA
	SG 12.2-4-LEG-280	0.10	2.65	0.58 ±0.05	280 g ±30	gold on contact side	>1,000,000	TBA	TBA
	SG 12.2-4-LEG-320	0.10	2.65	0.63 ±0.05	320 g ±30	gold on contact side	>1,000,000	TBA	TBA
	SG 12.2-4-LEG-350	0.10	2.65	0.66 ±0.05	350 g ±30	gold on contact side	TBA	TBA	TBA
	SG 12.2-4-LEG-400	0.10	2.65	0.70 ±0.05	400 g ±30	gold on contact side	TBA	TBA	TBA
	SG 12.2-4-LEG-450	0.10	2.65	0.75 ±0.05	450 g ±30	gold on contact side	TBA	TBA	TBA
	SG 12.2-4-LEG-680 (3.2M)	0.12	2.65	0.89 ±0.05	680 g ±30	gold on contact side	TBA	TBA	TBA
	SP 12.2-4-LEG-400	0.10	2.65	0.72 ±0.05	400 g ±30	silver on contact side	TBA	TBA	TBA

REMARK:

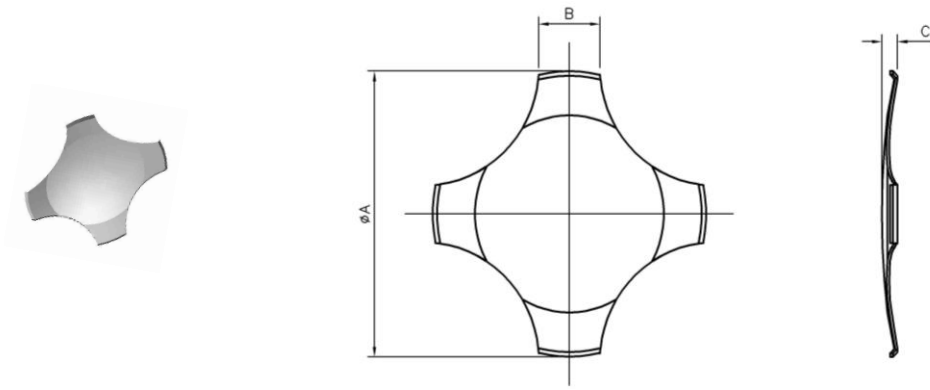
Information up to 15/01/2017.

All dimensions in millimeter unless otherwise specified.

Dimensions in brackets are the design value, there may be a slight difference in actual product.

All dimensions subject to change without any notice.

4-LEG



Outer Diameter ØA	Part No.	Material Thickness	Leg Width B	Height C	Trip Force	Plating	Contact Life cycle	PCB Layout Suggestion	
								Single Sided	Double Sided
14.2 mm	14-4-LEG-350	0.12	2.79	0.72 ±0.05	350 g ±30	bare	>1,000,000	TBA	TBA
	14-4-LEG-400	0.12	2.79	0.76 ±0.05	400 g ±30	bare	TBA	TBA	TBA
	DN 14-4-LEG-350	0.12	2.79	0.72 ±0.05	350 g ±30	nickel on both side	>1,000,000	TBA	TBA
	DN 14-4-LEG-400	0.12	2.79	0.74 ±0.05	400 g ±30	nickel on both side	TBA	TBA	TBA
	SG 14-4-LEG-350	0.12	2.79	0.72 ±0.05	350 g ±30	gold on contact side	>1,000,000	TBA	TBA
	SG 14-4-LEG-400	0.12	2.79	0.74 ±0.05	400 g ±30	gold on contact side	TBA	TBA	TBA
16 mm	16-4-LEG-280	0.12	3.25	0.76 ±0.05	280 g ±30	bare	TBA	TBA	TBA
	16-4-LEG-350	0.12	3.25	0.81 ±0.05	350 g ±30	nickel on both side	>1,000,000	TBA	TBA
	16-4-LEG-400	0.12	3.25	0.99 ±0.05	400 g ±30	bare	>1,000,000	TBA	TBA
	16-4-LEG-600	0.12	3.25	0.96 ±0.05	600 g ±50	bare	TBA	TBA	TBA
	16-4-LEG-700	0.12	3.25	1.05 ±0.05	700 g ±50	bare	TBA	TBA	TBA
	DN 16-4-LEG-280	0.12	3.25	0.73 ±0.05	280 g ±30	nickel on both side	TBA	TBA	TBA
	DN 16-4-LEG-350	0.12	3.25	0.77 ±0.05	350 g ±30	nickel on both side	>1,000,000	TBA	TBA
	DN 16-4-LEG-400	0.12	3.25	0.83 ±0.05	400 g ±30	nickel on both side	>1,000,000	TBA	TBA
	DN 16-4-LEG-700	0.12	3.25	1.10 ±0.07	700 g ±30	nickel on both side	TBA	TBA	TBA
	SG 16-4-LEG-350	0.12	3.25	0.82 ±0.05	350 g ±30	gold on contact side	TBA	TBA	TBA
SG 16-4-LEG-400	0.12	3.25	0.82 ±0.05	400 g ±30	gold on contact side	>1,000,000	TBA	TBA	
19.86 mm	20-4-LEG-220	0.12	4.02	0.98 ±0.05	220 g ±30	bare	TBA	TBA	TBA
	20-4-LEG-280	0.12	4.02	1.00 ±0.05	280 g ±30	bare	TBA	TBA	TBA
	20-4-LEG-400	0.12	4.02	1.05 ±0.07	400 g ±30	bare	>1,000,000	TBA	TBA
	20-4-LEG-500	0.12	4.02	1.36 ±0.07	500 g ±30	bare	TBA	TBA	TBA
	20-4-LEG-600	0.12	4.02	1.42 ±0.07	600 g ±30	bare	TBA	TBA	TBA
	DN 20-4-LEG-220	0.12	4.02	0.98 ±0.05	220 g ±30	nickel on both side	TBA	TBA	TBA
	DN 20-4-LEG-400	0.12	4.02	1.08 ±0.07	400 g ±30	nickel on both side	TBA	TBA	TBA
	SG 20-4-LEG-400	0.12	4.02	1.07 ±0.07	400 g ±30	gold on contact side	TBA	TBA	TBA
35 mm	35-4-LEG-400	0.15	7.10	1.91 ±0.05	400 g ±50	bare	TBA	TBA	TBA

REMARK:

Information up to 15/01/2017.

All dimensions in millimeter unless otherwise specified.

Dimensions in brackets are the design value, there may be a slight difference in actual product.

All dimensions subject to change without any notice.