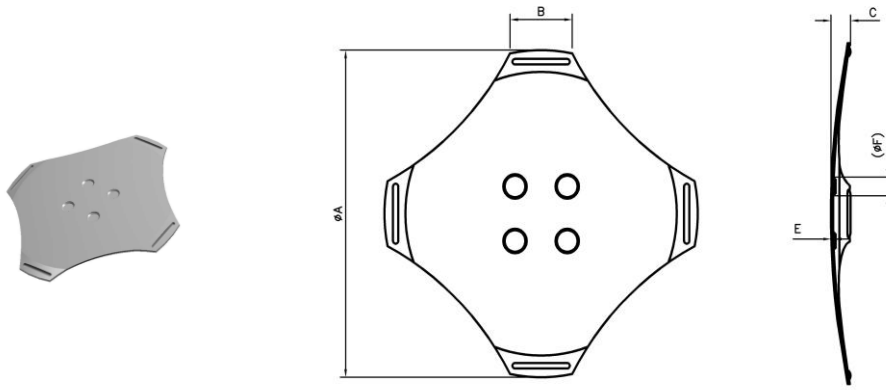


C4DN



Outer Diameter ØA	Part No.	Material Thickness	Leg Width B	Height C	Dimple Depth E	Dimple Diameter ØF	Trip Force	Plating	Contact Life cycle	PCB Layout Suggestion	
										Single Sided	Double Sided
12 mm	12-C4DN-500	0.10	2.38	0.79 ±0.05	0.02 min	Ø 0.80	500 g ±30	bare	>500,000	TBA	TBA

REMARK:

Information up to 15/01/2017.

All dimensions in millimeter unless otherwise specified.

Dimensions in brackets are the design value, there may be a slight difference in actual product.

All dimensions subject to change without any notice.