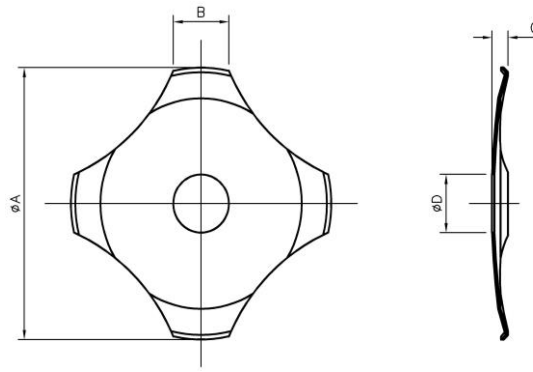
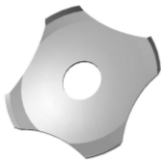


# CHN



Outer Diameter øA	Part No.	Material Thickness	Leg Width B	Height C	Hole Diameter øD	Trip Force	Plating	Contact Life cycle	PCB Layout Suggestion	
									Single Sided	Double Sided
8.4 mm	8.4-CHN-280	0.08	1.79	0.45 ±0.05	( Ø 1.80 )	280 g ±30	bare	TBA	TBA	TBA
	8.4-CHN-400	0.10	1.79	0.48 ±0.05	( Ø 1.80 )	400 g ±30	bare	TBA	TBA	TBA
	8.4-CH2.4N-400	0.10	1.79	0.48 ±0.05	( Ø 2.40 )	400 g ±30	bare	>500,000	TBA	TBA
	DN 8.4-CHN-280	0.08	1.79	0.45 ±0.05	( Ø 1.80 )	280 g ±30	nickel on both side	TBA	TBA	TBA
	SG 8.4-CHN-280	0.08	1.79	0.45 ±0.05	( Ø 1.80 )	280 g ±30	gold on contact side	TBA	TBA	TBA
	SG 8.4-CHN-400	0.10	1.79	0.48 ±0.05	( Ø 1.80 )	400 g ±30	gold on contact side	TBA	TBA	TBA

## REMARK:

Information up to 15/01/2017.

All dimensions in millimeter unless otherwise specified.

Dimensions in brackets are the design value, there may be a slight difference in actual product.

All dimensions subject to change without any notice.