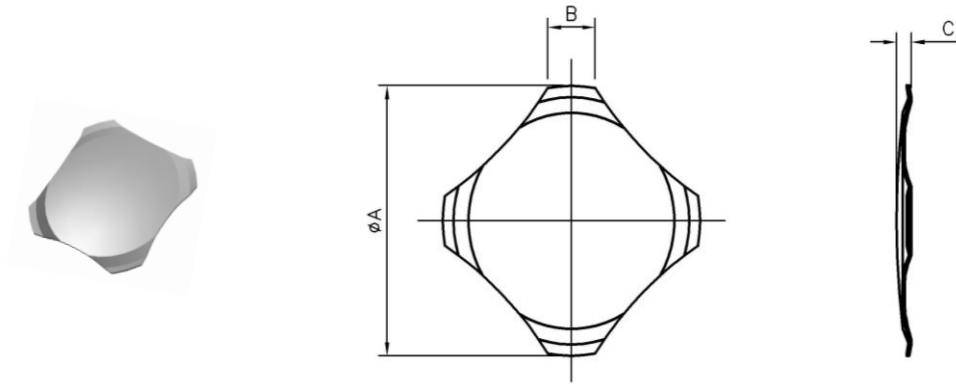


CNN



Outer Diameter $\varnothing A$	Part No.	Material Thickness	Leg Width B	Height C	Trip Force	Plating	Contact Life cycle	PCB Layout Suggestion	
								Single Sided	Double Sided
5 mm	5-CNN-120 (2M)	0.05	0.90	0.24 ± 0.04	120 g ± 30	bare	TBA	TBA	TBA
	5-CNN-180 (2M)	0.06	0.90	0.30 ± 0.05	180 g ± 30	bare	TBA	TBA	TBA
	SG 5-CNN-150 (2M)	0.06	0.90	0.23 ± 0.05	150 g ± 30	gold on contact side	TBA	TBA	TBA
6 mm	6-CNN-160 (2M)	0.06	1.10	0.35 ± 0.05	160 g ± 30	bare	>300,000	TBA	TBA
	6-CNN-200	0.06	1.10	0.37 ± 0.05	200 g ± 30	bare	>200,000	TBA	TBA
	SG 6-CNN-180 (2M)	0.06	1.10	0.34 ± 0.05	180 g ± 30	gold on contact side	TBA	TBA	TBA
7 mm	7-CNN-200	0.08	1.30	0.37 ± 0.05	200 g ± 30	bare	TBA	TBA	TBA
8.4 mm	8.4-CNN-400	0.10	1.79	0.51 ± 0.05	400 g ± 40	bare	>1,000,000	TBA	TBA
	DN 8.4-CNN-400	0.10	1.79	0.47 ± 0.05	400 g ± 40	nickel on both side	>1,000,000	TBA	TBA
	SG 8.4-CNN-400	0.10	1.79	0.47 ± 0.05	400 g $+50/-10$	gold on contact side	>1,000,000	TBA	TBA
10 mm	DN 10-CNN-450	0.10	2.28	0.57 ± 0.05	450 g ± 50	nickel on both side	TBA	TBA	TBA

REMARK:

Information up to 15/01/2017.

All dimensions in millimeter unless otherwise specified.

Dimensions in brackets are the design value, there may be a slight difference in actual product.

All dimensions subject to change without any notice.