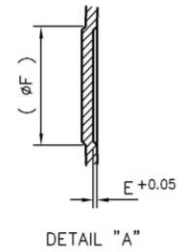
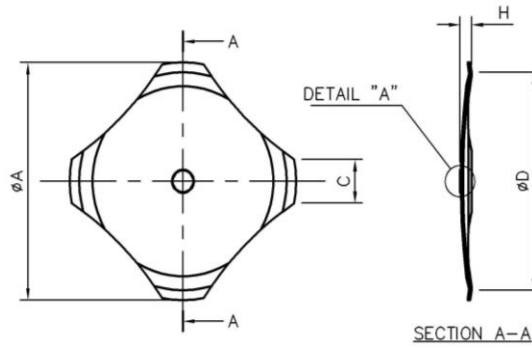
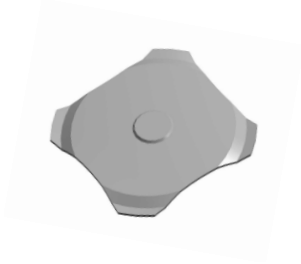


# CVN



Outer Diameter øA	Part No.	Material Thickness	Leg Width C	Height H	Dimple Depth E	Dimple Diameter øF	Trip Force	Plating	Contact Life cycle	PCB Layout Suggestion	
										Single Sided	Double Sided
6 mm	6-CVN-160 (2M)	0.06	1.10	0.31 ±0.05	0.02 +0.05	ø 0.60	160 g ±30	bare	>500,000	TBA	TBA
	DN 6-CVN-160 (2M)	0.06	1.10	0.30 ±0.05	0.02 +0.05	ø 0.60	160 g ±30	nickel on both side	TBA	TBA	TBA

## REMARK:

Information up to 15/01/2017.

All dimensions in millimeter unless otherwise specified.

Dimensions in brackets are the design value, there may be a slight difference in actual product.

All dimensions subject to change without any notice.