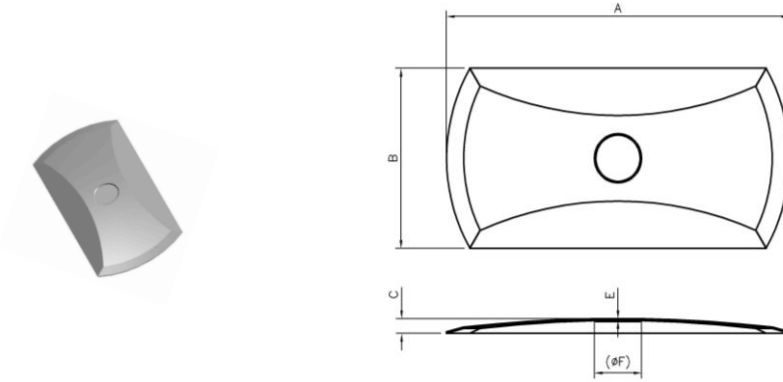


ODN (1 DIMPLE)



Outer Diameter ØA	Part No.	Material Thickness	Body Length A	Body Width B	Height C	Dimple Depth E	Dimple Diameter ØF	Trip Force	Plating	Contact Life cycle	PCB Layout Suggestion	
											Single Sided	Double Sided
3.94 mm	3.94-ODN-180	0.05	3.94	2.90	0.25 ±0.05	0.01 min	(Ø 0.6)	180 g ±30	bare	TBA	TBA	TBA
5 mm	5-ODN-180	0.06	5.00	3.75	0.28 ±0.05	0.01 min	(Ø 0.5)	180 g ±30	bare	TBA	TBA	TBA
	DN 5-ODN-180	0.06	5.00	3.75	0.28 ±0.05	0.01 min	(Ø 0.5)	180 g ±30	nickel on both side	TBA	TBA	TBA
17.78 mm	17.78-ODN-280	0.08	17.78	9.00	0.80 ±0.05	0.08 ±0.05	(Ø 2.0)	280 g ±30	bare	>500,000	TBA	TBA
	17.78-ODN-350	0.08	17.78	9.00	0.87 ±0.05	0.08 ±0.05	(Ø 2.0)	350 g ±30	bare	>500,000	TBA	TBA
	DN 17.78-ODN-280	0.08	17.78	9.00	0.81 ±0.05	0.08 ±0.05	(Ø 2.0)	280 g ±30	nickel on contact side	TBA	TBA	TBA
25.4 mm	25.4-ODN-280	0.10	25.40	12.80	0.89 ±0.05	0.10 ±0.05	(Ø 3.5)	280 g ±30	bare	>1,000,000	TBA	TBA
	25.4-ODN-350	0.10	25.40	12.80	1.03 ±0.07	0.10 ±0.05	(Ø 3.5)	350 g ±30	bare	>1,000,000	TBA	TBA
	DN 25.4-ODN-280	0.12	25.40	12.80	0.87 ±0.05	0.08 ±0.05	(Ø 3.5)	280 g ±30	nickel on both side	TBA	TBA	TBA
	DN 25.4-ODN-280-10C	0.10	25.40	12.80	0.85 ±0.05	0.06 ±0.04	(Ø 3.5)	280 g ±30	nickel on both side	>1,000,000	TBA	TBA
	DN 25.4-ODN-340	0.12	25.40	12.80	0.88 ±0.10	0.06 ±0.04	(Ø 3.5)	340 g ±30	nickel on both side	TBA	TBA	TBA
	DN 25.4-ODN-350	0.12	25.40	12.80	0.90 ±0.10	0.06 ±0.04	(Ø 3.5)	350 g ±30	nickel on both side	>1,000,000	TBA	TBA
	SG 25.4-ODN-350	0.10	25.40	12.80	1.06 ±0.07	0.10 +0.05	(Ø 3.5)	350 g ±50	gold on contact side	>1,000,000	TBA	TBA
38 mm	38.1-ODN-350	0.08	38.00	12.80	1.20 ±0.05	0.08 ±0.05	(Ø 3.0)	350 g ±30	bare	TBA	TBA	TBA
	38.1-ODN-400	0.08	38.00	12.80	1.30 ±0.05	0.08 ±0.05	(Ø 3.0)	400 g ±30	bare	TBA	TBA	TBA

REMARK:

Information up to 15/01/2017.

All dimensions in millimeter unless otherwise specified.

Dimensions in brackets are the design value, there may be a slight difference in actual product.

All dimensions subject to change without any notice.