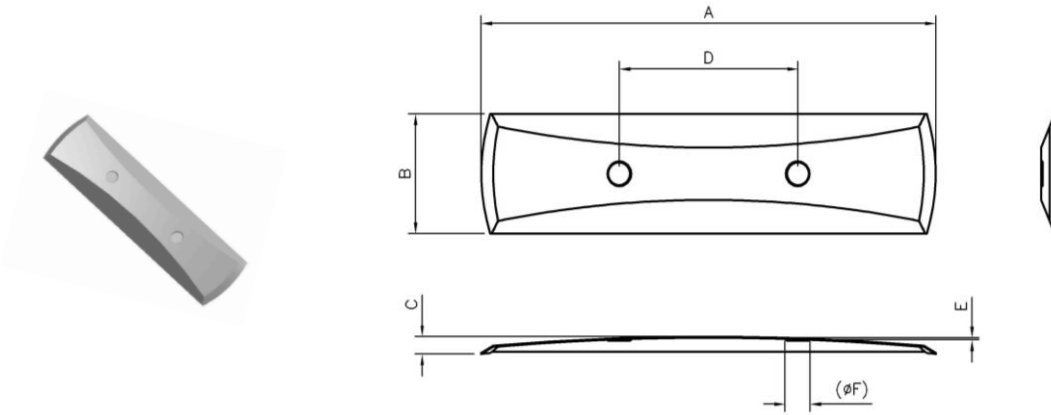


ODN (2 DIMPLE)



Outer Diameter ØA	Part No.	Material Thickness	Body Length A	Body Width B	Height C	Dimple Depth E	Dimple Diameter ØF	Distance between Dimples D	Trip Force	Plating	Contact Life cycle	PCB Layout Suggestion	
												Single Sided	Double
50.8 mm	2-ODN-14 (0)	0.08	50.80	12.80	1.30 ±0.15	0.15 min	(Ø 3.0)	20.00	450 g ±50	bare	TBA	TBA	TBA
	50.8-ODN-400	0.08	50.80	12.80	1.30 ±0.15	0.15 +0.10/-0.05	(Ø 3.0)	20.00	400 g ±50	bare	TBA	TBA	TBA
51mm	51-ODN-400	0.08	51.00	13.70	1.35 ±0.10	0.15 ±0.05	(Ø 3.0)	20.00	400 g ±50	bare	TBA	TBA	TBA

REMARK:

Information up to 15/01/2017.

All dimensions in millimeter unless otherwise specified.

Dimensions in brackets are the design value, there may be a slight difference in actual product.

All dimensions subject to change without any notice.