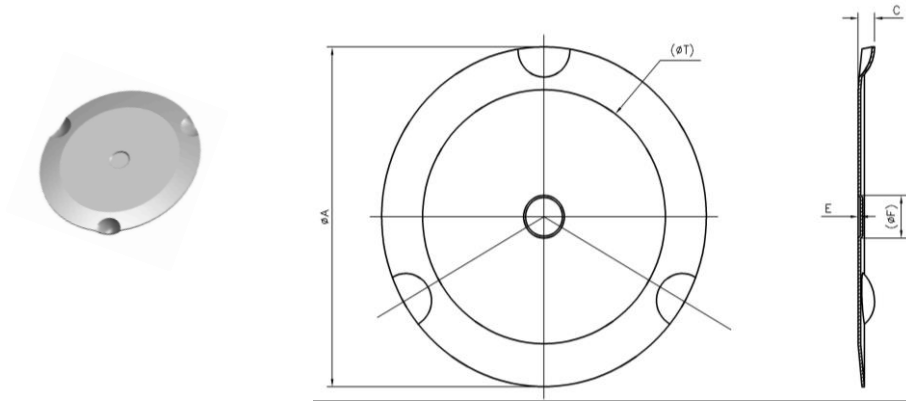


RDF-TOP



Outer Diameter ØA	Part No.	Material Thickness	Height C	Dimple Depth E	Dimple Diameter ØF	Flat Top Dia. ØT	Trip Force	Plating	Contact Life cycle	PCB Layout Suggestion	
										Single Sided	Double
12.7 mm	12.7-RDF-TOP-400	0.10	0.64 ±0.05	0.08 ±0.05	(Ø 1.6)	(Ø 9.5)	400 g ±30	bare	>500,000	TBA	TBA

REMARK:

Information up to 15/01/2017.

All dimensions in millimeter unless otherwise specified.

Dimensions in brackets are the design value, there may be a slight difference in actual product.

All dimensions subject to change without any notice.