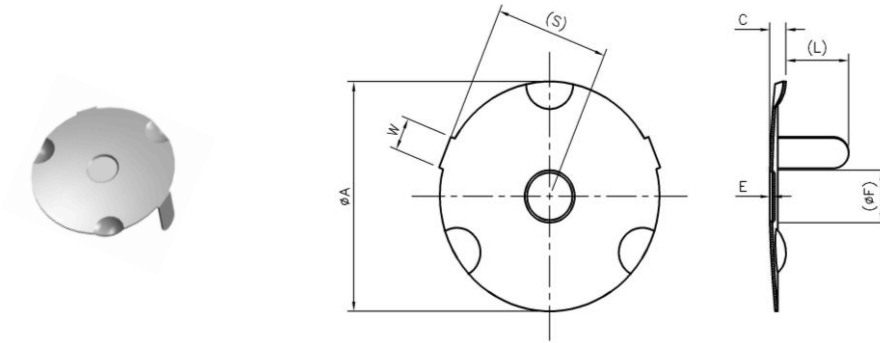


## RDF-W (Angled Wing Series)



Outer Diameter øA	Part No.	Material Thickness	Height C	Dimple Depth E	Dimple Diameter øF	Width of Wing W	Length of Wing L	Wing Span S	Trip Force	Plating	Contact Life cycle	PCB Layout Suggestion	
												Singl e	Doubl e
7 mm	7-RDF-OW2-280	0.08	0.51 ±0.05	0.08 ±0.05	(Ø 1.6)	1.00	( 2.0 )	(3.5 ~ 3.9)	280 g ±30	bare	TBA	TBA	TBA
	7-RDF-OW2-350	0.08	0.53 ±0.05	0.08 ±0.05	(Ø 1.6)	1.00	( 2.0 )	(3.5 ~ 3.9)	350 g ±30	bare	TBA	TBA	TBA
	7-RDF-OW2-450	0.10	0.55 ±0.05	0.08 ±0.05	(Ø 1.6)	1.00	( 2.0 )	(3.5 ~ 3.9)	450 g ±30	bare	TBA	TBA	TBA

### REMARK:

Information up to 15/01/2017.

All dimensions in millimeter unless otherwise specified.

Dimensions in brackets are the design value, there may be a slight difference in actual product.

All dimensions subject to change without any notice.