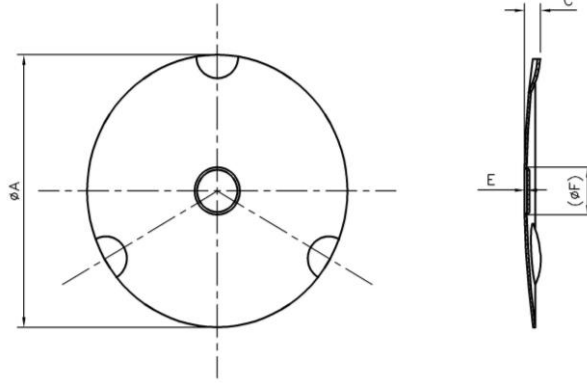
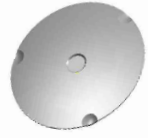


RDF



Outer Diameter ϕA	Part No.	Material Thickness	Height C	Dimple Depth E	Dimple Diameter ϕF	Trip Force	Plating	Contact Life cycle	PCB Layout Suggestion	
									Single Sided	Double Sided
6 mm	6-RDF-200	0.06	0.47 ± 0.05	0.08 ± 0.05	($\phi 1.2$)	200 g ± 30	bare	>1,000,000	TBA	TBA
	6-RDF-240	0.08	0.46 ± 0.05	0.08 ± 0.05	($\phi 1.2$)	240 g ± 30	bare	>500,000	TBA	TBA
	DN 6-RDF-240	0.08	0.48 ± 0.05	0.08 ± 0.05	($\phi 1.2$)	240 g ± 30	nickel on both side	TBA	TBA	TBA
	SG 6-RDF-200	0.06	0.46 ± 0.05	0.08 ± 0.05	($\phi 1.2$)	200 g ± 30	gold on contact side	>1,000,000	TBA	TBA
7mm	7-RDF-450	0.10	0.57 ± 0.05	0.06 ± 0.04	($\phi 1.4$)	450 g ± 50	bare	TBA	TBA	TBA
	7-RDF-750	0.10	0.59 ± 0.05	0.10 ± 0.05	($\phi 1.4$)	750 g ± 30	bare	TBA	TBA	TBA
8 mm	8-RDF-240	0.08	0.45 ± 0.05	0.08 ± 0.05	($\phi 1.4$)	240 g ± 30	bare	TBA	TBA	TBA
	8-RDF-280	0.08	0.47 ± 0.05	0.08 ± 0.05	($\phi 1.4$)	280 g ± 30	bare	TBA	TBA	TBA
	8-RDF-350	0.08	0.51 ± 0.05	0.08 ± 0.05	($\phi 1.4$)	350 g ± 30	bare	TBA	TBA	TBA
	8-RDF-400	0.08	0.55 ± 0.05	0.08 ± 0.05	($\phi 1.4$)	400 g ± 30	bare	TBA	TBA	TBA
	8-RDF-450	0.10	0.56 ± 0.05	0.08 ± 0.05	($\phi 1.4$)	450 g ± 30	bare	TBA	TBA	TBA
	SG 8-RDF-350	0.08	0.55 ± 0.05	0.08 ± 0.05	($\phi 1.4$)	350 g ± 30	gold on contact side	TBA	TBA	TBA
9 mm	9-RDF-240	0.08	0.48 ± 0.05	0.08 ± 0.05	($\phi 1.4$)	240 g ± 30	bare	TBA	TBA	TBA
	9-RDF-280	0.08	0.49 ± 0.05	0.08 ± 0.05	($\phi 1.4$)	280 g ± 30	bare	TBA	TBA	TBA
	9-RDF-300	0.08	0.50 ± 0.05	0.10 ± 0.05	($\phi 1.4$)	300 g ± 30	bare	TBA	TBA	TBA
10 mm	10-RDF-150	0.08	0.44 ± 0.05	0.08 ± 0.05	($\phi 1.5$)	150 g ± 30	bare	TBA	TBA	TBA
	10-RDF-200	0.10	0.53 ± 0.05	0.08 ± 0.05	($\phi 1.5$)	200 g ± 30	bare	TBA	TBA	TBA
	10-RDF-240	0.10	0.54 ± 0.05	0.08 ± 0.05	($\phi 1.5$)	240 g ± 30	bare	TBA	TBA	TBA
	10-RDF-280	0.10	0.55 ± 0.05	0.08 ± 0.05	($\phi 1.5$)	280 g ± 30	bare	TBA	TBA	TBA
	10-RDF-300	0.10	0.56 ± 0.05	0.10 ± 0.05	($\phi 1.5$)	300 g ± 30	bare	TBA	TBA	TBA
	10-RDF-350	0.10	0.59 ± 0.05	0.10 ± 0.05	($\phi 1.5$)	350 g ± 30	bare	TBA	TBA	TBA
	10-RDF-400	0.10	0.61 ± 0.05	0.10 ± 0.05	($\phi 1.5$)	400 g ± 30	bare	TBA	TBA	TBA
	DN 10-RDF-280	0.10	0.50 ± 0.05	0.08 ± 0.05	($\phi 1.5$)	280 g ± 30	nickel on both side	TBA	TBA	TBA
	DN 10-RDF-350	0.10	0.60 ± 0.05	0.10 ± 0.05	($\phi 1.5$)	350 g ± 30	nickel on both side	TBA	TBA	TBA
	SG 10-RDF-280	0.10	0.55 ± 0.05	0.08 ± 0.05	($\phi 1.5$)	280 g ± 30	gold on contact side	TBA	TBA	TBA

REMARK:

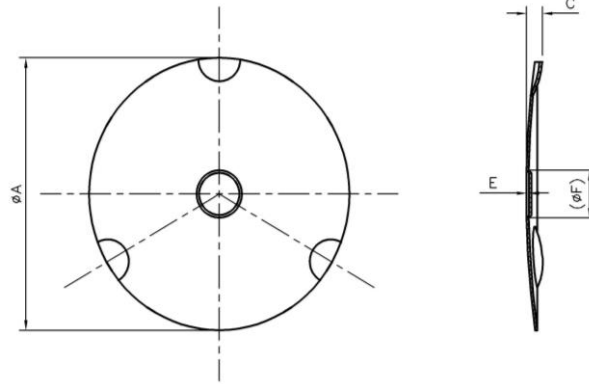
Information up to 15/01/2017.

All dimensions in millimeter unless otherwise specified.

Dimensions in brackets are the design value, there may be a slight difference in actual product.

All dimensions subject to change without any notice.

RDF



Outer Diameter ØA	Part No.	Material Thickness	Height C	Dimple Depth E	Dimple Diameter ØF	Trip Force	Plating	Contact Life cycle	PCB Layout Suggestion	
									Single Sided	Double Sided
12 mm	12-RDF-240	0.12	0.53 ±0.05	0.10 ±0.05	(Ø 1.5)	240 g ±30	bare	TBA	TBA	TBA
	12-RDF-280	0.12	0.56 ±0.05	0.10 ±0.05	(Ø 1.5)	280 g ±30	bare	TBA	TBA	TBA
	12-RDF-350	0.12	0.60 ±0.05	0.10 ±0.05	(Ø 1.5)	350 g ±30	bare	TBA	TBA	TBA
	12-RDF-400	0.12	0.65 ±0.05	0.10 ±0.05	(Ø 1.5)	400 g ±30	bare	TBA	TBA	TBA
	12-RDF-500	0.12	0.70 ±0.05	0.12 ±0.05	(Ø 4.5)	500 g ±50	bare	TBA	TBA	TBA
	DN 12-RDF-350	0.12	0.60 ±0.05	0.10 ±0.05	(Ø 1.5)	350 g ±30	nickel on both side	>1,000,000	TBA	TBA
	DN 12-RDF-400	0.12	0.60 ±0.05	0.12 ±0.05	(Ø 1.5)	400 g ±30	nickel on both side	TBA	TBA	TBA
	DN 12-RDF-500	0.12	0.68 ±0.05	0.12 ±0.05	(Ø 1.5)	500 g ±50	nickel on both side	TBA	TBA	TBA
12.7 mm	12.7-RDF-280	0.12	0.53 ±0.05	0.08 ±0.05	(Ø 1.6)	280 g ±30	bare	TBA	TBA	TBA
	12.7-RDF-400	0.12	0.58 ±0.05	0.10 ±0.05	(Ø 1.6)	400 g ±30	bare	TBA	TBA	TBA
	12.7-RDF-480	0.12	0.61 ±0.05	0.10 ±0.05	(Ø 1.6)	480 g ±30	bare	TBA	TBA	TBA
	DN 12.7-RDF-280	0.12	0.57 ±0.05	0.10 ±0.05	(Ø 1.6)	280 g ±30	nickel on both side	TBA	TBA	TBA
	DN 12.7-RDF-350	0.12	0.56 ±0.05	0.12 ±0.05	(Ø 1.6)	350 g ±30	nickel on both side	TBA	TBA	TBA
	SG 12.7-RDF-350	0.12	0.62 ±0.05	0.12 ±0.05	(Ø 1.6)	350 g ±30	gold on contact side	TBA	TBA	TBA
13 mm	13-RDF-350	0.12	0.57 ±0.05	0.10 ±0.05	(Ø 1.6)	350 g ±30	bare	TBA	TBA	TBA

REMARK:

Information up to 15/01/2017.

All dimensions in millimeter unless otherwise specified.

Dimensions in brackets are the design value, there may be a slight difference in actual product.

All dimensions subject to change without any notice.