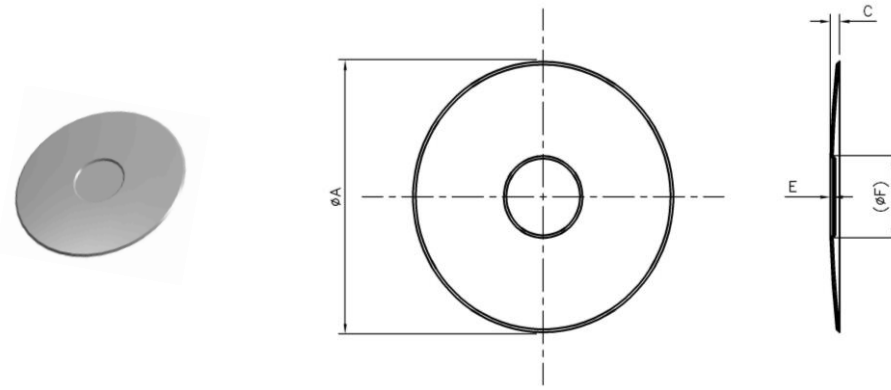


RDN



Outer Diameter øA	Part No.	Material Thickness	Height C	Dimple Depth E	Dimple Diameter øF	Trip Force	Plating	Contact Life cycle	PCB Layout Suggestion	
									Single Sided	Double Sided
5 mm	5-RDN-130	0.06	0.21 ±0.05	0.01 min	(ø 1.0)	130 g ±30	bare	>1,000,000	TBA	TBA
	5-RDN-180 (2M)	0.06	0.23 ±0.05	0.01 min	(ø 1.0)	180 g ±30	bare	TBA	TBA	TBA
	DN 5-RDN-150	0.06	0.21 ±0.05	0.01 min	(ø 1.0)	150 g ±30	nickel on both side	TBA	TBA	TBA
	DN 5-RDN-180 (2M)	0.06	0.10 ±0.05	0.01 min	(ø 1.0)	180 g ±30	nickel on both side	TBA	TBA	TBA
	DN 5-RDN-200	0.06	0.24 ±0.05	0.01 +0.05	(ø 1.0)	200 g ±30	nickel on both side	>1,000,000	TBA	TBA
	DN 5-RDN-230	0.06	0.26 ±0.05	0.01 +0.05	(ø 1.0)	230 g ±30	nickel on both side	>1,000,000	TBA	TBA
	SP 5-RDN-150 (2M)	0.06	0.20 ±0.05	0.01 min	(ø 1.0)	150 g ±30	silver on contact side	TBA	TBA	TBA
8 mm	8-RDN-240	0.08	0.32 ±0.05	0.08 ±0.05	(ø 2.4)	240 g ±30	bare	TBA	TBA	TBA
	8-RDN-350	0.08	0.34 ±0.05	0.08 ±0.05	(ø 2.4)	350 g ±30	bare	TBA	TBA	TBA
9 mm	9-RDN-280	0.08	0.36 ±0.05	0.08 ±0.05	(ø 3.2)	280 g ±30	bare	TBA	TBA	TBA
10 mm	10-RDN-240	0.10	0.36 ±0.05	0.08 ±0.05	(ø 3.2)	240 g ±30	bare	TBA	TBA	TBA
	10-RDN-400	0.10	0.42 ±0.05	0.08 ±0.05	(ø 3.2)	400 g ±30	bare	TBA	TBA	TBA
	DN 10-RDN-280	0.10	0.35 ±0.05	0.10 ±0.05	(ø 3.2)	280 g ±30	nickel on both side	TBA	TBA	TBA
12 mm	12-RDN-240	0.10	0.40 ±0.05	0.08 ±0.05	(ø 3.0)	240 g ±30	bare	TBA	TBA	TBA
	12-RDN-280	0.10	0.43 ±0.05	0.08 ±0.05	(ø 3.0)	280 g ±30	bare	TBA	TBA	TBA
	12-RDN-350	0.10	0.46 ±0.05	0.10 ±0.05	(ø 3.0)	350 g ±30	bare	TBA	TBA	TBA
	12-RDN-400	0.10	0.47 ±0.05	0.10 ±0.05	(ø 3.0)	400 g ±30	bare	TBA	TBA	TBA
12.7 mm	12.7-RDN-350	0.10	0.43 ±0.05	0.10 ±0.05	(ø 3.0)	350 g ±30	bare	>1,000,000	TBA	TBA

REMARK:

Information up to 15/01/2017.

All dimensions in millimeter unless otherwise specified.

Dimensions in brackets are the design value, there may be a slight difference in actual product.

All dimensions subject to change without any notice.