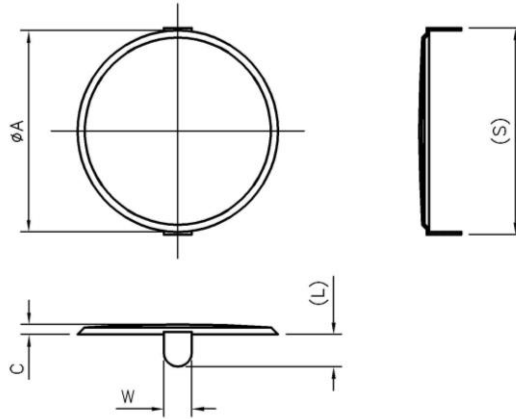


RNN-W (Center Wing Series)



Outer Diameter ØA	Part No.	Material Thickness	Height C	Width of Wing W	Length of Wing L	Wing Span S	Trip Force	Plating	Contact Life cycle	PCB Layout Suggestion	
										Single sided	Double
5 mm	5-RNN-W0.8-160	0.06	0.20 ±0.05	0.70	(0.8)	(5.1~5.4)	160 g ±30	bare	TBA	TBA	TBA
	5-RNN-W0.8-180	0.06	0.23 ±0.05	0.70	(0.8)	(5.1~5.4)	180 g ±30	bare	TBA	TBA	TBA
	5-RNN-W0.8-230	0.06	0.24 ±0.05	0.70	(0.8)	(5.1~5.4)	230 g ±30	bare	>10,000	TBA	TBA
	5-RNN-W0.8-350	0.06	0.30 ±0.05	0.70	(0.8)	(5.1~5.4)	350 g ±30	bare	>10,000	TBA	TBA
	DN 5-RNN-W0.8-230	0.06	0.24 ±0.05	0.70	(0.8)	(5.1~5.4)	230 g ±30	nickel on both side	>10,000	TBA	TBA

REMARK:

Information up to 15/01/2017.

All dimensions in millimeter unless otherwise specified.

Dimensions in brackets are the design value, there may be a slight difference in actual product.

All dimensions subject to change without any notice.