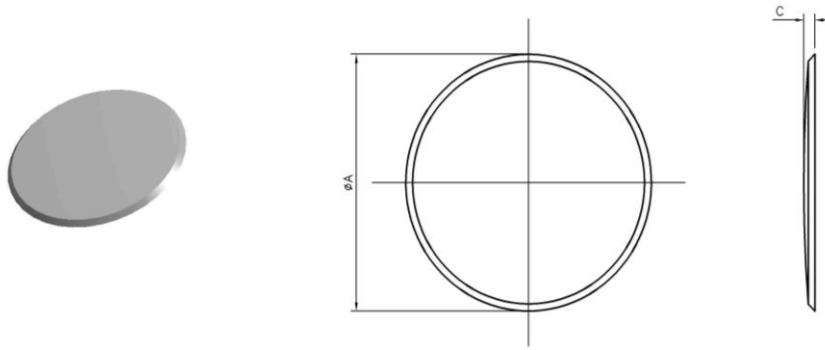


RNN



Outer Diameter ØA	Part No.	Material Thickness	Height C	Trip Force	Plating	Contact Life cycle	PCB Layout Suggestion	
							Single Sided	Double sided
3 mm	3-RNN-180 (1.8M)	0.04	0.19 ±0.05	180 g ±30	bare	>100,000	TBA	TBA
4 mm	4-RNN-180	0.06	0.21 ±0.05	180 g ±30	bare	TBA	TBA	TBA
	4-RNN-200	0.06	0.21 ±0.05	200 g ±30	bare	TBA	TBA	TBA
	4-RNN-250	0.06	0.23 ±0.05	250 g ±30	bare	TBA	TBA	TBA
	DN 4-RNN-180	0.06	0.19 ±0.05	180 g ±30	nickel on both side	>1,000,000	TBA	TBA
	DN 4-RNN-250	0.06	0.23 ±0.05	250 g ±30	nickel on both side	TBA	TBA	TBA
	SG 4-RNN-140	0.06	0.16 ±0.05	140 g ±30	gold on contact side	TBA	TBA	TBA
	SG 4-RNN-180	0.06	0.19 ±0.05	180 g ±30	gold on contact side	TBA	TBA	TBA
	SP 4-RNN-180	0.06	0.21 ±0.05	180 g ±30	silver on contact side	TBA	TBA	TBA
SP 4-RNN-250	0.06	0.23 ±0.05	250 g ±30	silver on contact side	TBA	TBA	TBA	
4.5 mm	4.5-RNN-200	0.06	0.22 ±0.05	200 g ±30	bare	>1,000,000	TBA	TBA
	4.5-RNN-250	0.06	0.26 ±0.05	250 g ±30	bare	TBA	TBA	TBA
	DN 4.5-RNN-250	0.06	0.23 ±0.05	250 g ±30	nickel on both side	>1,000,000	TBA	TBA
5 mm	5-RNN-130	0.06	0.20 ±0.05	130 g ±30	bare	TBA	TBA	TBA
	5-RNN-150	0.06	0.21 ±0.05	150 g ±30	bare	>1,000,000	TBA	TBA
	5-RNN-180	0.06	0.22 ±0.05	180 g ±30	bare	>1,000,000	TBA	TBA
	5-RNN-180 (2M)	0.06	0.22 ±0.05	180 g ±30	bare	>1,000,000	TBA	TBA
	5-RNN-200	0.06	0.23 ±0.05	200 g ±30	bare	>1,000,000	TBA	TBA
	5-RNN-220	0.06	0.24 ±0.05	220 g ±30	bare	TBA	TBA	TBA
	5-RNN-250	0.06	0.26 ±0.05	250 g ±30	bare	TBA	TBA	TBA
	5-RNN-250 (2M)	0.06	0.25 ±0.05	250 g ±30	bare	TBA	TBA	TBA
	5-RNN-280	0.06	0.27 ±0.05	280 g ±30	bare	>300,000	TBA	TBA
	DN 5-RNN-150 (2M)	0.06	0.21 ±0.05	150 g ±30	nickel on both side	TBA	TBA	TBA
	DN 5-RNN-180 (2M)	0.06	0.21 ±0.05	180 g ±30	nickel on both side	TBA	TBA	TBA
	DN 5-RNN-250	0.06	0.25 ±0.05	250 g ±30	nickel on both side	TBA	TBA	TBA
	DN 5-RNN-280	0.06	0.27 ±0.05	280 g ±30	nickel on both side	TBA	TBA	TBA
	SG 5-RNN-130	0.06	0.21 ±0.05	130 g ±30	gold on contact side	TBA	TBA	TBA
	SG 5-RNN-150	0.06	0.21 ±0.05	150 g ±30	gold on contact side	TBA	TBA	TBA
	SG 5-RNN-180	0.06	0.23 ±0.05	180 g ±30	gold on contact side	TBA	TBA	TBA
	SG 5-RNN-180 (1.8M)	0.06	0.22 ±0.04	180 g ±30	gold on contact side	TBA	TBA	TBA
	SP 5-RNN-280	0.06	0.26 ±0.05	280 g ±30	silver on contact side	TBA	TBA	TBA

REMARK:

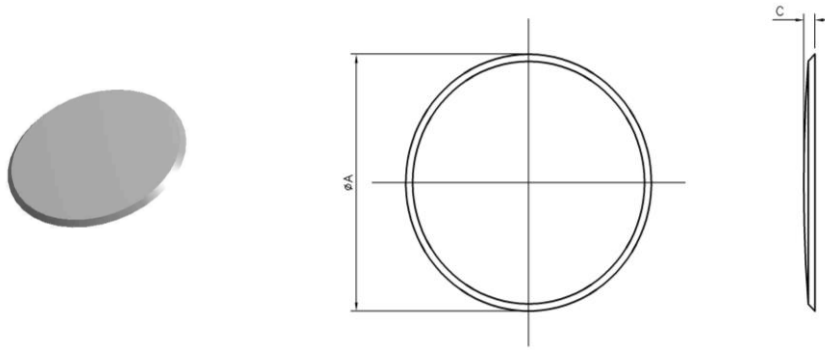
Information up to 15/01/2017.

All dimensions in millimeter unless otherwise specified.

Dimensions in brackets are the design value, there may be a slight difference in actual product.

All dimensions subject to change without any notice.

RNN



Outer Diameter $\varnothing A$	Part No.	Material Thickness	Height C	Trip Force	Plating	Contact Life cycle	PCB Layout Suggestion	
							Single Sided	Double sided
5.6 mm	5.6-RNN-200	0.06	0.26 ± 0.05	200 g ± 30	bare	TBA	TBA	TBA
	5.6-RNN-300	0.08	0.28 ± 0.05	300 g ± 30	bare	TBA	TBA	TBA
	SP 5.6-RNN-280	0.08	0.26 ± 0.05	280 g ± 30	silver on contact side	>50,000	TBA	TBA
6 mm	6-RNN-140	0.06	0.25 ± 0.05	140 g ± 30	bare	TBA	TBA	TBA
	6-RNN-180 (2M)	0.06	0.25 ± 0.05	180 g ± 30	bare	TBA	TBA	TBA
	6-RNN-280	0.08	0.27 ± 0.05	280 g ± 30	bare	TBA	TBA	TBA
	6-RNN-300	0.08	0.29 ± 0.05	300 g ± 30	bare	TBA	TBA	TBA
	DN 6-RNN-280	0.08	0.27 ± 0.05	280 g ± 30	nickel on both side	>1,000,000	TBA	TBA
6.9 mm	6.9-RNN-180	0.08	0.27 ± 0.05	180 g ± 30	bare	>1,000,000	TBA	TBA
	6.9-RNN-280	0.08	0.32 ± 0.05	280 g ± 30	bare	TBA	TBA	TBA
	6.9-RNN-300	0.08	0.32 ± 0.05	300 g ± 30	bare	>1,000,000	TBA	TBA
	6.9-RNN-350	0.08	0.35 ± 0.05	350 g ± 30	bare	TBA	TBA	TBA
	DN 6.9-RNN-180	0.08	0.25 ± 0.05	180 g ± 30	nickel on both side	>1,000,000	TBA	TBA
	DN 6.9-RNN-300	0.08	0.32 ± 0.05	300 g ± 30	nickel on both side	>1,000,000	TBA	TBA
	GG 6.9-RNN-300	0.08	0.30 ± 0.05	300 g ± 30	gold on contact side	TBA	TBA	TBA
	SG 6.9-RNN-180	0.08	0.25 ± 0.05	180 g ± 30	gold on contact side	TBA	TBA	TBA
	SG 6.9-RNN-180 (1.8M)	0.08	0.26 ± 0.04	180 g ± 30	gold on contact side	TBA	TBA	TBA
SG 6.9-RNN-300	0.08	0.30 ± 0.05	300 g ± 30	gold on contact side	TBA	TBA	TBA	
8 mm	8-RNN-180 (2M)	0.08	0.30 ± 0.05	180 g ± 30	bare	>1,000,000	TBA	TBA
	8-RNN-300	0.08	0.33 ± 0.05	300 g ± 30	bare	TBA	TBA	TBA
	DN 8-RNN-180 (2M)	0.08	0.30 ± 0.05	180 g ± 30	nickel on both side	>1,000,000	TBA	TBA
	SP 8-RNN-160	0.08	0.29 ± 0.05	160 g ± 30	silver on contact side	TBA	TBA	TBA
	SP 8-RNN-300	0.08	0.35 ± 0.05	300 g ± 30	silver on contact side	>1,000,000	TBA	TBA
	SG 8-RNN-180 (1.8M)	0.08	0.30 ± 0.05	180 g ± 30	gold on contact side	>1,000,000	TBA	TBA
	SG 8-RNN-300	0.08	0.35 ± 0.05	300 g ± 30	gold on contact side	>1,000,000	TBA	TBA
	TG 8-RNN-300	0.08	0.35 ± 0.05	300 g ± 30	gold on non-contact side	TBA	TBA	TBA

REMARK:

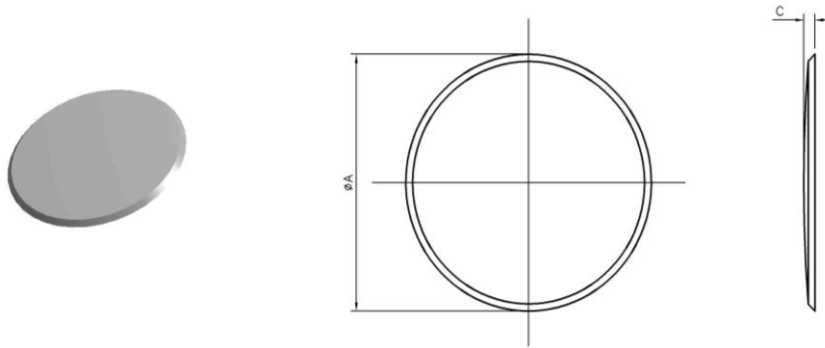
Information up to 15/01/2017.

All dimensions in millimeter unless otherwise specified.

Dimensions in brackets are the design value, there may be a slight difference in actual product.

All dimensions subject to change without any notice.

RNN



Outer Diameter ØA	Part No.	Material Thickness	Height C	Trip Force	Plating	Contact Life cycle	PCB Layout Suggestion	
							Single Sided	Double sided
8.8 mm	8.8-RNN-150	0.08	0.28 ±0.05	150 g ±30	bare	TBA	TBA	TBA
	8.8-RNN-170	0.08	0.28 ±0.05	170 g ±30	bare	>1,000,000	TBA	TBA
	8.8-RNN-240	0.08	0.34 ±0.05	240 g ±30	bare	TBA	TBA	TBA
	8.8-RNN-280	0.08	0.35 ±0.05	280 g ±30	bare	>1,000,000	TBA	TBA
	8.8-RNN-400	0.08	0.40 ±0.05	400 g ±30	bare	TBA	TBA	TBA
	DN 8.8-RNN-220	0.08	0.31 ±0.05	220 g ±30	nickel on both side	>1,000,000	TBA	TBA
	SG 8.8-RNN-400	0.08	0.40 ±0.05	400 g ±30	gold on contact side	>1,000,000	TBA	TBA
9.4 mm	9.4-RNN-260	0.08	0.38 ±0.05	260 g ±30	bare	TBA	TBA	TBA
	SG 9.4-RNN-300	0.08	0.41 ±0.05	300 g ±30	gold on contact side	>1,000,000	TBA	TBA
	GG 9.4-RNN-260	0.08	0.37 ±0.05	260 g ±30	gold on contact side	>1,000,000	TBA	TBA
10.8 mm	10.8-RNN-280	0.10	0.40 ±0.05	280 g ±30	bare	TBA	TBA	TBA
	10.8-RNN-350	0.10	0.40 ±0.05	350 g ±30	bare	TBA	TBA	TBA
11.5 mm	11.5-RNN-350	0.10	0.45 ±0.05	350 g ±30	bare	TBA	TBA	TBA
12 mm	12-RNN-280	0.10	0.42 ±0.05	280 g ±30	bare	>1,000,000	TBA	TBA
12.7 mm	12.7-RNN-280	0.10	0.43 ±0.05	280 g ±30	bare	>1,000,000	TBA	TBA
	12.7-RNN-350	0.10	0.47 ±0.05	350 g ±30	bare	TBA	TBA	TBA
14 mm	14-RNN-330	0.10	0.48 ±0.05	330 g ±30	bare	TBA	TBA	TBA
	14-RNN-680	0.12	0.60 ±0.05	680 g ±50	bare	>1,000,000	TBA	TBA
16 mm	16-RNN-350	0.12	0.51 ±0.05	350 g ±30	bare	TBA	TBA	TBA
19.05 mm	19-RNN-600	0.12	0.72 ±0.05	600 g ±50	bare	TBA	TBA	TBA

REMARK:

Information up to 15/01/2017.

All dimensions in millimeter unless otherwise specified.

Dimensions in brackets are the design value, there may be a slight difference in actual product.

All dimensions subject to change without any notice.