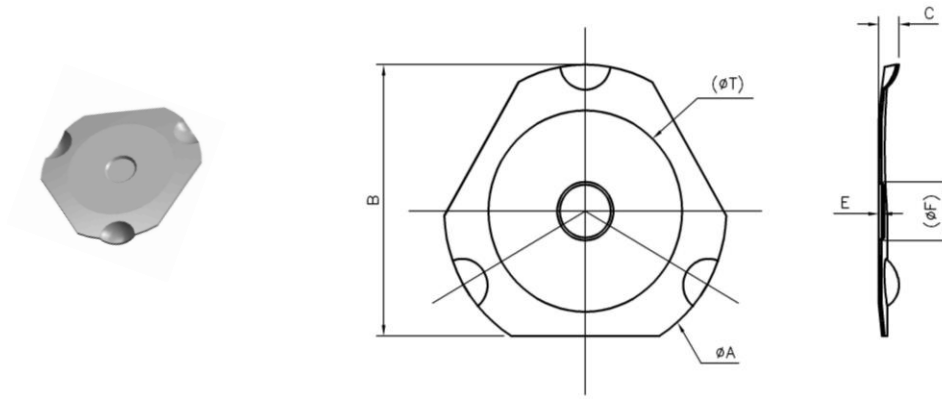


TDF-TOP



Outer Diameter ØA	Part No.	Material Thickness	Body Width B	Height C	Dimple Depth E	Dimple Diameter ØF	Flat Top Dia. ØT	Trip Force	Plating	Contact Life cycle	PCB Layout Suggestion	
											Single Sided	Double Sided
8 mm	8-TDF-TOP-320	0.08	7.40	0.56 ±0.05	0.08 ±0.05	(Ø 1.6)	(Ø 5.5)	320 g ±30	bare	TBA	TBA	TBA
	8-TDF-LTOP-480	0.08	7.40	0.60 ±0.05	0.08 ±0.05	(Ø 1.6)	(Ø .6)	480 g ±30	bare	TBA	TBA	TBA
9 mm	9-TDF-TOP-400	0.08	8.25	0.61 ±0.05	0.08 ±0.05	(Ø 1.6)	(Ø 6.2)	400 g ±30	bare	>500,000	TBA	TBA
	SG 9-TDF-TOP-450	0.08	8.25	0.66 ±0.05	0.10 ±0.05	(Ø 1.6)	(Ø 6.2)	450 g ±30	gold on contact side	TBA	TBA	TBA
10 mm	10-TDF-TOP-400	0.10	9.25	0.59 ±0.05	0.08 ±0.05	(Ø 1.6)	(Ø 7.0)	400 g ±30	bare	TBA	TBA	TBA
	SG 10-TDF-TOP-450	0.10	9.25	0.61 ±0.05	0.10 ±0.05	(Ø 1.6)	(Ø 7.0)	450 g ±50	gold on contact side	TBA	TBA	TBA
12 mm	12-TDF-TOP-400	0.10	11.00	0.72 ±0.05	0.08 ±0.05	(Ø 1.6)	(Ø 8.0)	400 g ±30	bare	TBA	TBA	TBA
	DN 12-TDF-TOP-400	0.10	11.00	0.75 ±0.05	0.08 ±0.05	(Ø 1.6)	(Ø 8.0)	400 g ±30	nickel on both side	TBA	TBA	TBA
	DN 25.4-ODN-280-10C	0.10	25.40	##### ±0.89	0.08 ±0.06	(Ø 0.0)	(Ø 8.0)	280 g ±30	nickel on both side	>1,000,000	TBA	TBA

REMARK:

Information up to 15/01/2017.

All dimensions in millimeter unless otherwise specified.

Dimensions in brackets are the design value, there may be a slight difference in actual product.

All dimensions subject to change without any notice.