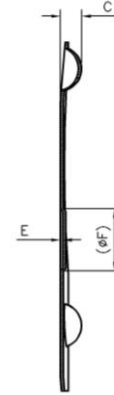
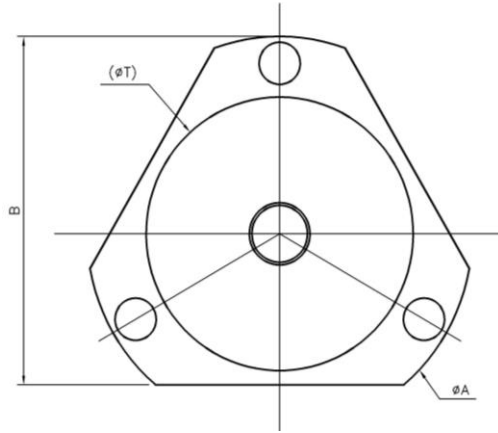
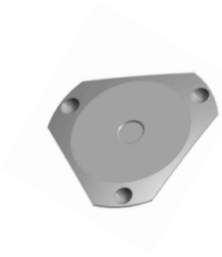


TDF-TOP



| Outer Diameter ØA | Part No. | Material Thickness | Body Width B | Height C | Dimple Depth E | Dimple Diameter ØF | Flat Top Dia. ØT | Trip Force | Plating | Contact Life cycle | PCB Layout Suggestion | |
|----------------------|------------------|--------------------|-----------------|-------------|-------------------|-----------------------|---------------------|---------------|---------|--------------------|-----------------------|--------|
| | | | | | | | | | | | Single Sided | Double |
| 12.7 mm | 12.7-TDF-TOP-400 | 0.10 | 11.20 | 0.70 ±0.05 | 0.10 ±0.05 | (Ø 2.0) | (Ø 8.8) | 400 g +50/-30 | bare | TBA | TBA | TBA |

REMARK:

Information up to 15/01/2017.

All dimensions in millimeter unless otherwise specified.

Dimensions in brackets are the design value, there may be a slight difference in actual product.

All dimensions subject to change without any notice.