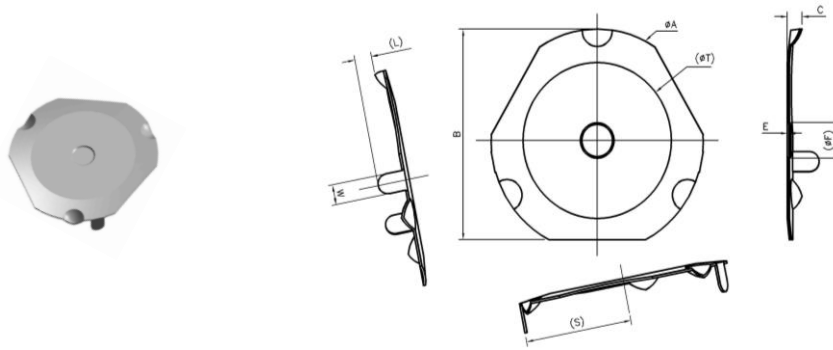


## TDF-TOP-W (Angled Wing Series)



Outer Diameter ØA	Part No.	Material Thickness	Body Width		Height C	Dimple Depth E	Dimple Diameter ØF	Flat Top Dia. ØT	Width of Wing W	Length of Wing L	Wing Span S	Trip Force	Plating	Contact Life cycle	PCB Layout Suggestion	
			B												Single	Double Sided
6 mm	6-TDF-TOP-W-200	0.06	5.55	0.45 ±0.05	0.06 ±0.04	(Ø 1.0)	(Ø 4.2)	0.80	( 1.0 )	( 6.0~6.8 )	200 g ±30	bare	TBA	TBA	TBA	TBA
	6-TDF-TOP-W-350	0.06	5.55	0.53 ±0.05	0.06 ±0.04	(Ø 1.0)	(Ø 4.2)	0.80	( 1.0 )	( 6.0~6.8 )	350 g ±30	bare	TBA	TBA	TBA	TBA
8 mm	8-TDF-TOP-OW2-400	0.08	7.25	0.60 ±0.05	0.08 ±0.05	(Ø 1.6)	(Ø 5.5)	1.00	( 2.0 )	( 4 ~ 4.4 )	400 g ±30	bare	TBA	TBA	TBA	TBA
	8-TDF-TOP-W-480	0.08	7.40	0.60 ±0.05	0.08 ±0.05	(Ø 1.6)	(Ø 5.5)	0.90	( 1.0 )	( 4 ~ 4.3 )	480 g ±50	bare	TBA	TBA	TBA	TBA
	SG 8-TDF-TOP-W-450	0.08	7.40	0.60 ±0.05	0.08 ±0.05	(Ø 1.6)	(Ø 5.5)	0.90	( 1.0 )	( 4 ~ 4.3 )	450 g +50/-20	gold on contact side	TBA	TBA	TBA	TBA
	SG 8-TDF-TOP-W-500	0.08	7.40	0.61 ±0.05	0.08 ±0.05	(Ø 1.6)	(Ø 5.5)	0.90	( 1.0 )	( 4 ~ 4.3 )	500 g ±30	gold on contact side	TBA	TBA	TBA	TBA
10 mm	SG 10-TDF-TOP-OW0.8-500	0.10	9.45	0.70 ±0.05	0.08 ±0.05	(Ø 1.6)	(Ø 7.0)	0.90	( 0.8 )	( 5.0 ~ 5.2 )	500 g ±30	gold on contact side	TBA	TBA	TBA	TBA

### REMARK:

Information up to 15/01/2017.

All dimensions in millimeter unless otherwise specified.

Dimensions in brackets are the design value, there may be a slight difference in actual product.

All dimensions subject to change without any notice.