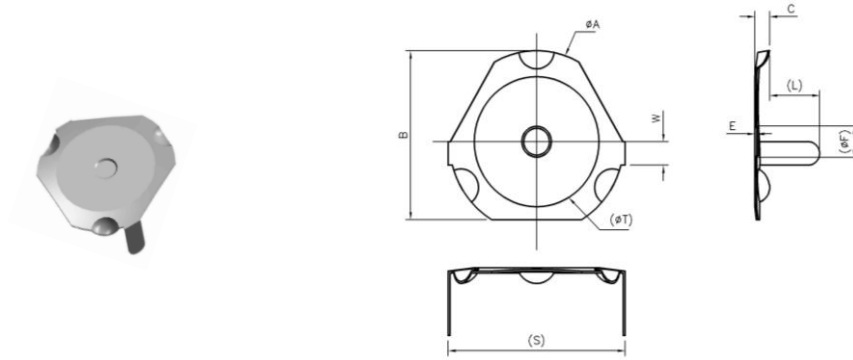


TDF-TOP-W (Off Center Wing Series)



Outer Diameter ØA	Part No.	Material Thickness	Body Width B	Height C	Dimple Depth E	Dimple Diameter ØF	Flat Top Dia. ØT	Width of Wing W	Length of Wing L	Wing Span S	Trip Force	Plating	Contact Life cycle	PCB Layout Suggestion	
														Single Sided	Double Sided
6 mm	6-TDF-TOP-W-200	0.06	5.55	0.45 ±0.05	0.06 ±0.04	(Ø 1.0)	(Ø 4.2)	0.80	(1.0)	(6.0 ~ 6.8)	200 g ±30	bare	TBA	TBA	TBA
	6-TDF-TOP-W-350	0.06	5.55	0.45 ±0.05	0.06 ±0.04	(Ø 1.0)	(Ø 4.2)	0.80	(1.0)	(6.0 ~ 6.8)	350 g ±30	bare	TBA	TBA	TBA
7 mm	7-TDF-TOP-OW2-400	0.08	6.50	0.60 ±0.05	0.08 ±0.05	(Ø 1.4)	(Ø 5.0)	0.90	(2.0)	(7.1 ~ 8.0)	400 g ±30	bare	>10,000	TBA	TBA
9 mm	9-TDF-TOP-W-400	0.08	8.40	0.57 ±0.05	0.08 ±0.05	(Ø 1.6)	(Ø 6.1)	1.00	(1.0)	(9.3 ~ 9.8)	400 g ±30	bare	TBA	TBA	TBA
	9-TDF-TOP-W-500	0.08	8.40	0.60 ±0.05	0.08 ±0.05	(Ø 1.6)	(Ø 6.1)	1.00	(1.0)	(9.3 ~ 9.8)	500 g ±30	bare	TBA	TBA	TBA
	SG 9-TDF-TOP-W-400	0.08	8.40	0.61 ±0.05	0.08 ±0.05	(Ø 1.6)	(Ø 6.1)	1.00	(1.0)	(9.3 ~ 9.8)	400 g ±30	gold on contact side	TBA	TBA	TBA

REMARK:

Information up to 15/01/2017.

All dimensions in millimeter unless otherwise specified.

Dimensions in brackets are the design value, there may be a slight difference in actual product.

All dimensions subject to change without any notice.