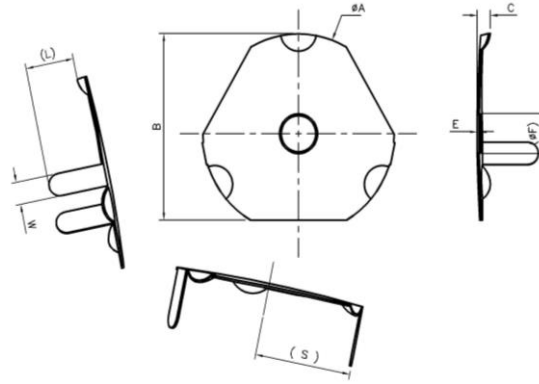
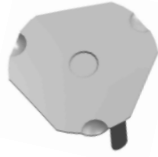


TDF-W (Angled Wing Series)



Outer Diameter ØA	Part No.	Material Thickness	Body Width B	Height C	Dimple Depth E	Dimple Diameter ØF	Width of Wing W	Length of Wing L	Wing Span S	Trip Force	Plating	Contact Life cycle	PCB Layout Suggestion	
													Single Sided	Double Sided
8 mm	8-TDF-W-150	0.08	7.40	0.42 ±0.05	0.08 ±0.05	(Ø 1.6)	0.90	(1.0)	(4.0 ~ 4.3)	180 g ±30	bare	TBA	TBA	TBA
	8-TDF-W-180	0.08	7.40	0.44 ±0.05	0.08 ±0.05	(Ø 1.6)	0.90	(1.0)	(4.0 ~ 4.3)	210 g ±30	bare	>100,000	TBA	TBA
	8-TDF-W-250	0.08	7.40	0.48 ±0.05	0.08 ±0.05	(Ø 1.6)	0.90	(1.0)	(4.0 ~ 4.3)	250 g ±30	bare	TBA	TBA	TBA
	8-TDF-W-400	0.08	7.30	0.53 ±0.05	0.08 ±0.05	(Ø 1.6)	0.90	(1.0)	(4.0 ~ 4.3)	400 g ±30	bare	>50,000	TBA	TBA
	8-TDF-W-450	0.08	7.30	0.57 ±0.05	0.08 ±0.05	(Ø 1.6)	0.90	(1.0)	(4.0 ~ 4.3)	450 g ±30	bare	TBA	TBA	TBA
	8-TDF-SW3-100	0.08	7.69	0.40 ±0.05	0.06 ±0.04	(Ø 1.6)	1.00	(3.0)	(4.0 ~ 4.6)	100 g ±30	bare	TBA	TBA	TBA
	DN 8-TDF-W-400	0.08	7.30	0.57 ±0.05	0.08 ±0.05	(Ø 1.6)	0.90	(1.0)	(4.0 ~ 4.3)	400 g ±30	bare	TBA	TBA	TBA
	SG 8-TDF-W-350	0.08	7.30	0.52 ±0.05	0.08 ±0.05	(Ø 1.6)	0.90	(1.0)	(4.0 ~ 4.3)					
	SG 8-TDF-W-450	0.08	7.30	0.58 ±0.05	0.08 ±0.05	(Ø 1.6)	0.90	(1.0)	(4.0 ~ 4.3)	450 g ±30	bare	TBA	TBA	TBA
	8-TDF-OW2-300	0.08	7.45	0.54 ±0.05	0.08 ±0.05	(Ø 1.6)	0.90	(2.0)	(4.0 ~ 4.4)	300 g ±30	bare	TBA	TBA	TBA
	8-TDF-OW2-400	0.08	7.45	0.58 ±0.05	0.08 ±0.05	(Ø 1.6)	0.90	(2.0)	(4.0 ~ 4.4)	400 g ±30	bare	TBA	TBA	TBA
	DN 8-TDF-OW2-400	0.08	7.45	0.55 ±0.05	0.08 ±0.05	(Ø 1.6)	0.90	(2.0)	(4.0 ~ 4.4)	400 g ±30	nickel on both side	TBA	TBA	TBA
	SG 8-TDF-OW2-280	0.08	7.45	0.53 ±0.05	0.08 ±0.05	(Ø 1.6)	0.90	(2.0)	(4.0 ~ 4.4)	280 g ±30	gold on contact side	TBA	TBA	TBA
	SG 8-TDF-OW2-400	0.08	7.45	0.55 ±0.05	0.08 ±0.05	(Ø 1.6)	0.90	(2.0)	(4.0 ~ 4.4)	400 g ±30	gold on contact side	TBA	TBA	TBA
	8-TDF-OW3-180	0.08	7.30	0.47 ±0.05	0.08 ±0.05	(Ø 1.6)	0.90	(3.0)	(4.05 ~ 4.35)	180 g ±30	bare	TBA	TBA	TBA
	8-TDF-OW3-300	0.08	7.30	0.51 ±0.05	0.08 ±0.05	(Ø 1.6)	0.90	(3.0)	(4.05 ~ 4.35)	300 g ±30	bare	TBA	TBA	TBA
	8-TDF-OW3-400	0.08	7.30	0.59 ±0.05	0.08 ±0.05	(Ø 1.6)	0.90	(3.0)	(4.05 ~ 4.35)	400 g ±30	bare	TBA	TBA	TBA
	8-TDF-OW3-450	0.08	7.30	0.62 ±0.05	0.08 ±0.05	(Ø 1.6)	0.90	(3.0)	(4.05 ~ 4.35)	450 g ±40	bare	TBA	TBA	TBA
	DN 8-TDF-OW3-400	0.08	7.30	0.59 ±0.05	0.08 ±0.05	(Ø 1.6)	0.90	(3.0)	(4.05 ~ 4.35)	400 g ±30	nickel on both side	TBA	TBA	TBA
	SG 8-TDF-OW3-300	0.08	7.30	0.53 ±0.05	0.08 ±0.05	(Ø 1.6)	0.90	(3.0)	(4.05 ~ 4.35)	300 g ±30	gold on contact side	TBA	TBA	TBA
SG 8-TDF-OW3-400	0.08	7.30	0.59 ±0.05	0.08 ±0.05	(Ø 1.6)	0.90	(3.0)	(4.05 ~ 4.35)	400 g ±30	gold on contact side	TBA	TBA	TBA	
7.6 mm	A8-TDF-W-180	0.08	6.90	0.42 ±0.05	0.10 ±0.05	(Ø 1.6)	0.90	(1.0)	(3.8~4.1)	180 g ±30	bare	>100,000	TBA	TBA

REMARK:

Information up to 15/01/2017.

All dimensions in millimeter unless otherwise specified.

Dimensions in brackets are the design value, there may be a slight difference in actual product.

All dimensions subject to change without any notice.