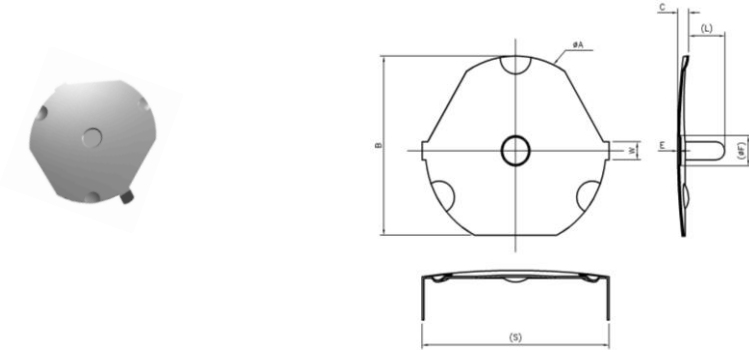


TDF-W (Center Wing Series)



Outer Diameter ØA	Part No.	Material Thickness	Body Width B	Height C	Dimple Depth E	Dimple Diameter ØF	Width of Wing W	Length of Wing L	Wing Span S	Trip Force	Plating	Contact Life cycle	PCB Layout Suggestion	
													Single Sided	Double
6 mm	6-TDF-W0.8-180	0.06	5.75	0.42 ±0.05	0.08 ±0.05	(Ø 1.2)	0.90	(0.8)	(6.0 ~ 6.4)	200 g ±30	bare	TBA	TBA	TBA
	6-TDF-W0.8-250	0.06	5.75	0.47 ±0.05	0.08 ±0.05	(Ø 1.2)	0.90	(0.8)	(6.0 ~ 6.4)	250 g ±30	bare	TBA	TBA	TBA
	6-TDF-W0.8-300	0.08	5.75	0.46 ±0.05	0.08 ±0.05	(Ø 1.2)	0.90	(0.8)	(6.0 ~ 6.4)	300 g ±30	bare	TBA	TBA	TBA
	6-TDF-W0.8-400	0.08	5.75	0.48 ±0.05	0.08 ±0.05	(Ø 1.2)	0.90	(0.8)	(6.0 ~ 6.4)	400 g ±30	bare	TBA	TBA	TBA
	SP A6-TDF-W0.8-170	0.06	5.60	0.43 ±0.05	0.06 ±0.05	(Ø 1.0)	0.80	(0.8)	(6.4 ~ 6.8)	170 g ±30	silver on contact side	TBA	TBA	TBA
	SP A6-TDF-W0.8-250	0.06	5.60	0.46 ±0.05	0.06 ±0.05	(Ø 1.0)	0.80	(0.8)	(6.4 ~ 6.8)	250 g ±30	silver on contact side	TBA	TBA	TBA
	6-TDF-OW2-200	0.06	5.75	0.45 ±0.05	0.06 ±0.04	(Ø 1.2)	0.90	(2.0)	(6.1 ~ 6.9)	200 g ±30	bare	>10,000	TBA	TBA
	6-TDF-OW2-250	0.06	5.75	0.45 ±0.05	0.08 ±0.05	(Ø 1.2)	0.90	(2.0)	(6.1 ~ 6.9)	250 g ±30	bare	>10,000	TBA	TBA
	6-TDF-OW2-300	0.08	5.75	0.48 ±0.05	0.08 ±0.05	(Ø 1.2)	0.90	(2.0)	(6.1 ~ 7.0)	300 g ±30	bare	>10,000	TBA	TBA
	6-TDF-OW2-400	0.08	5.75	0.50 ±0.05	0.08 ±0.05	(Ø 1.2)	0.90	(2.0)	(6.1 ~ 6.9)	400 g ±30	bare	>10,000	TBA	TBA
	6-TDF-OW2-450	0.08	5.75	0.52 ±0.05	0.08 ±0.05	(Ø 1.2)	0.90	(2.0)	(6.1 ~ 6.9)	450 g ±30	bare	TBA	TBA	TBA
	6-TDF-OW3-230	0.06	5.75	0.41 ±0.05	0.08 ±0.05	(Ø 1.2)	0.90	(3.0)	(6.1 ~ 7.2)	230 g ±30	bare	TBA	TBA	TBA
	6-TDF-OW3-300	0.08	5.75	0.48 ±0.05	0.05 ±0.03	(Ø 1.2)	0.90	(3.0)	(6.1 ~ 7.2)	300 g ±30	bare	>30,000	TBA	TBA
	6-TDF-OW3-400	0.08	5.75	0.54 ±0.05	0.06 ±0.04	(Ø 1.2)	0.90	(3.0)	(6.1 ~ 7.2)	400 g ±30	bare	>10,000	TBA	TBA
DN 6-TDF-OW3-230	0.06	5.75	0.41 ±0.05	0.06 ±0.04	(Ø 1.2)	0.90	(3.0)	(6.1 ~ 7.2)	230 g ±30	nickel on both side	TBA	TBA	TBA	
10 mm	10-TDF-W-400	0.10	9.45	0.60 ±0.05	0.10 ±0.05	(Ø 1.6)	0.95	(1.0)	(10 ~ 10.4)	400 g ±30	bare	TBA	TBA	TBA
	10-TDF-OW2-180	0.08	9.45	0.50 ±0.05	0.08 ±0.05	(Ø 1.6)	0.90	(2.0)	(10 ~ 10.4)	200 g ±30	bare	TBA	TBA	TBA
	10-TDF-OW2-280	0.10	9.45	0.55 ±0.05	0.08 ±0.05	(Ø 1.6)	0.95	(2.0)	(10.3 ~ 11.2)	280 g ±30	bare	TBA	TBA	TBA
	10-TDF-OW2-350	0.10	9.45	0.58 ±0.05	0.10 ±0.05	(Ø 1.6)	0.95	(2.0)	(10.3 ~ 11.2)	350 g ±30	bare	TBA	TBA	TBA
	10-TDF-OW2-400	0.10	9.45	0.61 ±0.05	0.10 ±0.05	(Ø 1.6)	0.95	(2.0)	(10.3 ~ 11.2)	400 g ±30	bare	>20,000	TBA	TBA
	10-TDF-OW2-190-140	0.10	9.45	0.47 ±0.05	0.13 ±0.03	(Ø 1.6)	0.95	(2.0)	(10.3 ~ 11.2)	180 g ±20	bare	TBA	TBA	TBA
	10-TDF-OW3-400	0.10	9.35	0.60 ±0.05	0.10 ±0.05	(Ø 1.6)	0.90	(3.0)	(9.9 ~ 11)	400 g ±30	bare	TBA	TBA	TBA
	SG 10-TDF-OW2-280	0.10	9.45	0.59 ±0.05	0.08 ±0.05	(Ø 1.6)	0.90	(2.0)	(10.3 ~ 11.2)	280 g ±30	gold on contact side	TBA	TBA	TBA
SG 10-TDF-OW2-400	0.10	9.45	0.62 ±0.05	0.10 ±0.05	(Ø 1.6)	0.95	(2.0)	(10.3 ~ 11.2)	400 g ±30	gold on contact side	TBA	TBA	TBA	

REMARK:

Information up to 15/01/2017.

All dimensions in millimeter unless otherwise specified.

Dimensions in brackets are the design value, there may be a slight difference in actual product.

All dimensions subject to change without any notice.