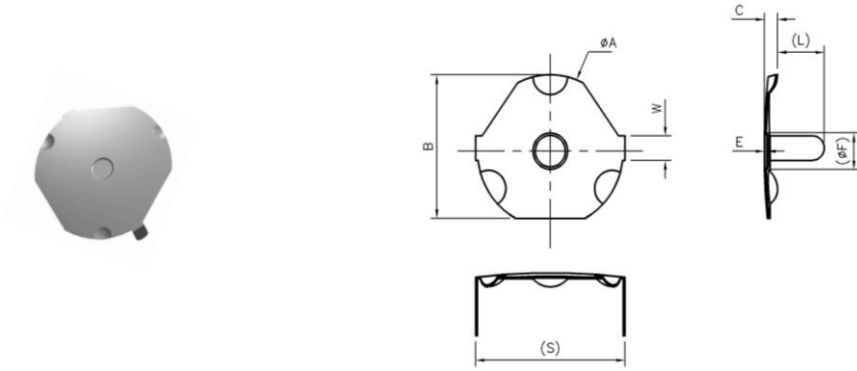


## TDF-W (Off Center Wing Series)



Outer Diameter ØA	Part No.	Material Thickness	Body Width B	Height C	Dimple Depth E	Dimple Diameter ØF	Width of Wing W	Length of Wing L	Wing Span S	Trip Force	Plating	Contact Life cycle	PCB Layout Suggestion	
													Single Sided	Double Sided
5 mm	5-TDF-OW2-250	0.06	4.70	0.45 ±0.05	0.05 ±0.03	( Ø 1.2 )	0.80	( 1.6 )	( 5.1 ~ 5.8 )	250 g ±30	bare	>10,000	TBA	TBA
	5-TDF-OW3-200	0.06	4.70	0.44 ±0.05	0.06 ±0.04	( Ø 1.2 )	0.80	( 3.0 )	( 5.1 ~ 6.3 )	200 g ±30	bare	TBA	TBA	TBA
	5-TDF-OW3-250	0.06	4.70	0.45 ±0.05	0.06 ±0.04	( Ø 1.2 )	0.80	( 3.0 )	( 5.1 ~ 6.3 )	250 g ±30	bare	TBA	TBA	TBA
	5-TDF-OW3-300	0.06	4.70	0.48 ±0.05	0.08 ±0.05	( Ø 1.2 )	0.80	( 3.0 )	( 5.1 ~ 6.3 )	300 g ±30	bare	TBA	TBA	TBA
	SG 5-TDF-OW3-250	0.06	4.70	0.45 ±0.05	0.06 ±0.04	( Ø 1.2 )	0.80	( 3.0 )	( 5.1 ~ 6.3 )	250 g ±30	gold on contact side	>10,000	TBA	TBA
	DN 5-TDF-OW2-250	0.06	4.70	0.45 ±0.05	0.05 ±0.03	( Ø 1.2 )	0.80	( 1.6 )	( 5.1 ~ 5.8 )	250 g ±30	nickel on both side	>10,000	TBA	TBA
	TN 5-TDF-OW3-300	0.06	4.70	0.48 ±0.05	0.08 ±0.05	( Ø 1.2 )	0.80	( 3.0 )	( 5.1 ~ 6.3 )	300 g ±30	nickel on non-contact side	>10,000	TBA	TBA

**REMARK:**

Information up to 15/01/2017.

All dimensions in millimeter unless otherwise specified.

Dimensions in brackets are the design value, there may be a slight difference in actual product.

All dimensions subject to change without any notice.