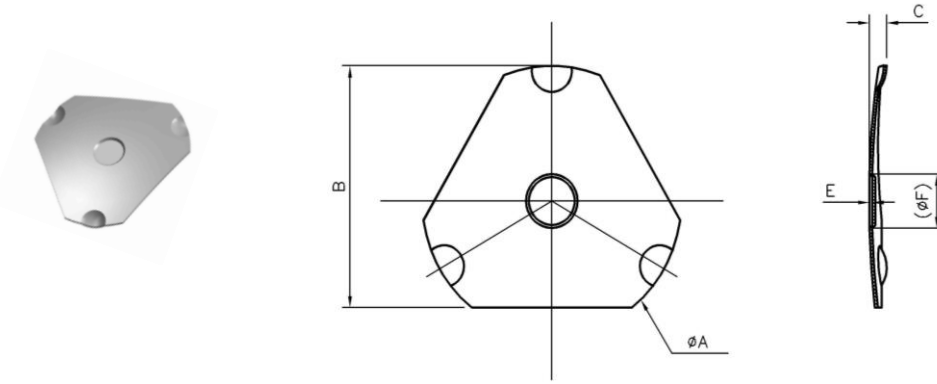


TDF



Outer Diameter ØA	Part No.	Material Thickness	Body Width B	Height C	Dimple Depth E	Dimple Diameter ØF	Trip Force	Plating	Contact Life cycle	PCB Layout Suggestion	
										Single Sided	Double Sided
4 mm	4-TDF-160	0.06	3.75	0.30 ±0.05	0.05 ±0.03	(Ø 1.0)	160 g ±30	bare	>100,000	TBA	TBA
5 mm	5-TDF-160	0.06	4.55	0.43 ±0.05	0.08 ±0.05	(Ø 1.2)	160 g ±30	bare	TBA	TBA	TBA
	5-TDF-160 (CHIS)	0.06	4.55	0.43 ±0.05	0.08 ±0.05	(Ø 1.2)	160 g +30/-0	bare	TBA	TBA	TBA
	5-TDF-200	0.06	4.55	0.46 ±0.05	0.06 ±0.04	(Ø 1.2)	200 g ±30	bare	>500,000	TBA	TBA
	5-TDF-300	0.06	4.55	0.50 ±0.05	0.08 ±0.05	(Ø 1.2)	300 g ±30	bare	TBA	TBA	TBA
	DN 5-TDF-300	0.06	4.55	0.49 ±0.05	0.08 ±0.05	(Ø 1.2)	300 g ±30	nickel on both side	TBA	TBA	TBA
	SG 5-TDF-200	0.06	4.55	0.44 ±0.05	0.08 ±0.05	(Ø 1.2)	200 g ±30	gold on contact side	TBA	TBA	TBA
6 mm	6-TDF-180	0.06	5.35	0.45 ±0.05	0.06 ±0.04	(Ø 1.2)	180 g ±30	bare	>100,000	TBA	TBA
	6-TDF-200	0.06	5.35	0.48 ±0.05	0.08 ±0.05	(Ø 1.2)	200 g ±30	bare	>1,000,000	TBA	TBA
	6-TDF-280	0.08	5.35	0.52 ±0.05	0.08 ±0.05	(Ø 1.2)	280 g ±30	bare	TBA	TBA	TBA
	6-TDF-300	0.08	5.25	0.52 ±0.05	0.08 ±0.05	(Ø 1.2)	300 g ±30	bare	>100,000	TBA	TBA
	6-TDF-350	0.08	5.35	0.54 ±0.05	0.08 ±0.05	(Ø 1.2)	350 g ±30	bare	TBA	TBA	TBA
	6-TDF-400	0.08	5.35	0.57 ±0.05	0.08 ±0.05	(Ø 1.2)	400 g ±30	bare	TBA	TBA	TBA
	6-TDF-500	0.08	5.35	0.57 ±0.05	0.08 ±0.05	(Ø 1.2)	500 g ±50	bare	TBA	TBA	TBA
	A6-TDF-400	0.08	5.35	0.58 ±0.05	0.08 ±0.05	(Ø 1.2)	450 g ±30	bare	TBA	TBA	TBA
	DN 6-TDF-300	0.08	5.25	0.52 ±0.05	0.06 ±0.04	(Ø 1.2)	300 g ±30	nickel on both side	TBA	TBA	TBA
		SG 6-TDF-300	0.08	5.35	0.52 ±0.05	0.08 ±0.05	(Ø 1.2)	300 g ±30	gold on contact side	TBA	TBA
	SG 6-TDF-400	0.08	5.25	0.58 ±0.05	0.08 ±0.05	(Ø 1.2)	400 g ±30	gold on contact side	TBA	TBA	TBA
7 mm	7-TDF-100	0.06	6.25	0.39 ±0.05	0.08 ±0.05	(Ø 1.4)	120 g ±30	bare	TBA	TBA	TBA
	7-TDF-200	0.08	6.25	0.45 ±0.05	0.08 ±0.05	(Ø 1.4)	200 g ±30	bare	TBA	TBA	TBA
	7-TDF-230	0.08	6.25	0.47 ±0.05	0.08 ±0.05	(Ø 1.4)	230 g ±30	bare	TBA	TBA	TBA
	7-TDF-280	0.08	6.25	0.48 ±0.05	0.08 ±0.05	(Ø 1.4)	280 g ±30	bare	>100,000	TBA	TBA
	7-TDF-300	0.08	6.25	0.50 ±0.05	0.08 ±0.05	(Ø 1.4)	300 g ±30	bare	TBA	TBA	TBA
	7-TDF-350	0.08	6.25	0.55 ±0.05	0.09 ±0.05	(Ø 1.4)	350 g ±30	bare	TBA	TBA	TBA
	7-TDF-400	0.08	6.25	0.58 ±0.05	0.08 ±0.05	(Ø 1.4)	400 g ±30	bare	TBA	TBA	TBA
	DN 7-TDF-120	0.06	6.25	0.39 ±0.05	0.08 ±0.05	(Ø 1.4)	120 g ±30	nickel on both side	TBA	TBA	TBA
	DN 7-TDF-300	0.08	6.25	0.49 ±0.05	0.08 ±0.05	(Ø 1.4)	300 g ±30	nickel on both side	>200,000	TBA	TBA
		SG 7-TDF-400	0.08	6.25	0.60 ±0.05	0.08 ±0.05	(Ø 1.4)	400 g ±30	gold on contact side	TBA	TBA

REMARK:

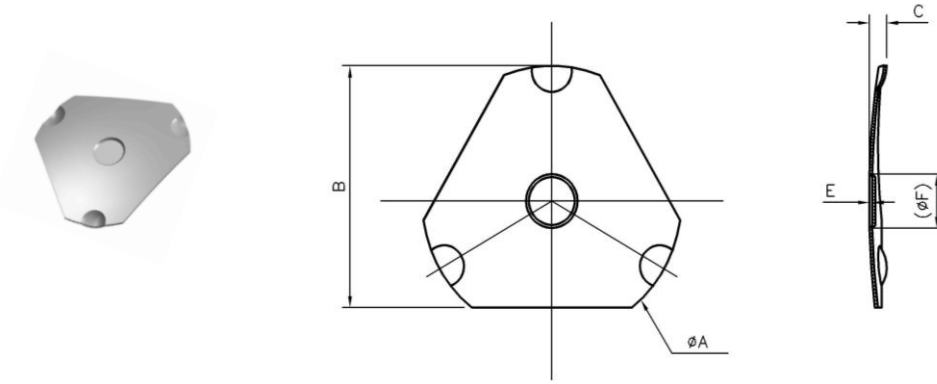
Information up to 15/01/2017.

All dimensions in millimeter unless otherwise specified.

Dimensions in brackets are the design value, there may be a slight difference in actual product.

All dimensions subject to change without any notice.

TDF



Outer Diameter ØA	Part No.	Material Thickness	Body Width B	Height C	Dimple Depth E	Dimple Diameter ØF	Trip Force	Plating	Contact Life cycle	PCB Layout Suggestion	
										Single Sided	Double Sided
8 mm	8-TDF-230	0.08	7.20	0.54 ±0.05	0.08 ±0.05	(Ø 1.6)	230 g ±30	bare	TBA	TBA	TBA
	8-TDF-240	0.08	7.20	0.52 ±0.05	0.08 ±0.05	(Ø 1.6)	240 g ±30	bare	>1,000,000	TBA	TBA
	8-TDF-280	0.08	7.20	0.55 ±0.05	0.08 ±0.05	(Ø 1.6)	280 g ±30	bare	TBA	TBA	TBA
	8-TDF-300	0.08	7.20	0.57 ±0.05	0.08 ±0.05	(Ø 1.6)	300 g ±30	bare	TBA	TBA	TBA
	8-TDF-350	0.08	7.20	0.58 ±0.05	0.08 ±0.05	(Ø 1.6)	350 g ±30	bare	>1,000,000	TBA	TBA
8 mm	8-TDF-400	0.08	7.20	0.63 ±0.05	0.08 ±0.05	(Ø 1.6)	400 g ±30	bare	TBA	TBA	TBA
	8-TDF-450	0.08	7.15	0.65 ±0.05	0.08 ±0.05	(Ø 1.6)	450 g ±30	bare	TBA	TBA	TBA
	8-TDF-550	0.08	7.20	0.68 ±0.05	0.08 ±0.05	(Ø 1.6)	550 g ±30	bare	TBA	TBA	TBA
	DN 8-TDF-280	0.08	7.20	0.56 ±0.05	0.08 ±0.05	(Ø 1.6)	280 g ±30	nickel on both side	>1,000,000	TBA	TBA
	DN 8-TDF-350	0.08	7.20	0.58 ±0.05	0.08 ±0.05	(Ø 1.6)	350 g ±30	nickel on both side	>300,000	TBA	TBA
	DN 8-TDF-400	0.08	7.20	0.63 ±0.05	0.08 ±0.05	(Ø 1.6)	400 g ±30	nickel on both side	>150,000	TBA	TBA
	SG 8-TDF-280	0.08	7.20	0.57 ±0.05	0.08 ±0.05	(Ø 1.6)	280 g ±30	gold on contact side	TBA	TBA	TBA
	SG 8-TDF-350	0.08	7.20	0.59 ±0.05	0.08 ±0.05	(Ø 1.6)	350 g ±30	gold on contact side	TBA	TBA	TBA
	SG 8-TDF-450	0.08	7.20	0.67 ±0.05	0.10 ±0.05	(Ø 1.6)	450 g ±30	gold on contact side	TBA	TBA	TBA
9 mm	9-TDF-150	0.08	8.25	0.50 ±0.05	0.08 ±0.05	(Ø 1.6)	180 g ±30	bare	>500,000	TBA	TBA
	9-TDF-200	0.08	8.25	0.50 ±0.05	0.08 ±0.05	(Ø 1.6)	200 g ±30	bare	TBA	TBA	TBA
	9-TDF-240	0.08	8.25	0.54 ±0.05	0.08 ±0.05	(Ø 1.6)	240 g ±30	bare	TBA	TBA	TBA
	9-TDF-280	0.08	8.25	0.59 ±0.05	0.08 ±0.05	(Ø 1.6)	280 g ±30	bare	TBA	TBA	TBA
	9-TDF-350	0.08	8.25	0.62 ±0.05	0.08 ±0.05	(Ø 1.6)	350 g ±30	bare	>1,000,000	TBA	TBA
	9-TDF-480	0.10	8.25	0.67 ±0.05	0.08 ±0.05	(Ø 1.6)	480 g ±30	bare	TBA	TBA	TBA
	DN 9-TDF-150	0.08	8.25	0.49 ±0.05	0.08 ±0.05	(Ø 1.6)	150 g ±30	nickel on both side	TBA	TBA	TBA
	DN 9-TDF-240	0.08	8.25	0.56 ±0.05	0.08 ±0.05	(Ø 1.6)	240 g ±30	nickel on both side	>1,000,000	TBA	TBA
	DN 9-TDF-280	0.08	8.25	0.60 ±0.05	0.10 ±0.05	(Ø 1.6)	280 g ±30	nickel on both side	TBA	TBA	TBA
	DN 9-TDF-300	0.08	8.25	0.60 ±0.05	0.10 ±0.05	(Ø 1.6)	300 g ±30	nickel on both side	>1,000,000	TBA	TBA
	DN 9-TDF-350	0.08	8.25	0.60 ±0.05	0.10 ±0.05	(Ø 1.6)	350 g ±30	nickel on both side	>1,000,000	TBA	TBA
	SG 9-TDF-150	0.08	8.25	0.49 ±0.05	0.08 ±0.05	(Ø 1.6)	150 g ±30	gold on contact side	>500,000	TBA	TBA
	SG 9-TDF-300	0.08	8.25	0.59 ±0.05	0.08 ±0.05	(Ø 1.6)	300 g ±30	gold on contact side	TBA	TBA	TBA
SG 9-TDF-450	0.08	8.25	0.68 ±0.05	0.08 ±0.05	(Ø 1.6)	450 g ±30	gold on contact side	TBA	TBA	TBA	
10 mm	10-TDF-180	0.08	9.25	0.52 ±0.05	0.08 ±0.05	(Ø 1.6)	180 g ±30	bare	TBA	TBA	TBA
	10-TDF-240	0.10	9.25	0.53 ±0.05	0.10 ±0.05	(Ø 1.6)	240 g ±30	bare	TBA	TBA	TBA
	10-TDF-280	0.10	9.25	0.55 ±0.05	0.08 ±0.05	(Ø 1.6)	280 g ±30	bare	>1,000,000	TBA	TBA
	10-TDF-350	0.10	9.25	0.57 ±0.05	0.10 ±0.05	(Ø 1.6)	350 g ±30	bare	>1,000,000	TBA	TBA
	10-TDF-400	0.10	9.25	0.59 ±0.05	0.08 ±0.05	(Ø 1.6)	400 g ±30	bare	TBA	TBA	TBA
	10-TDF-450	0.10	9.25	0.63 ±0.05	0.08 ±0.05	(Ø 1.6)	450 g ±30	bare	TBA	TBA	TBA
	10-TDF-550	0.10	9.25	0.70 ±0.05	0.08 ±0.05	(Ø 1.6)	550 g ±30	bare	TBA	TBA	TBA
	DN 10-TDF-350	0.10	9.25	0.57 ±0.05	0.10 ±0.05	(Ø 1.6)	350 g ±30	nickel on both side	>1,000,000	TBA	TBA

REMARK:

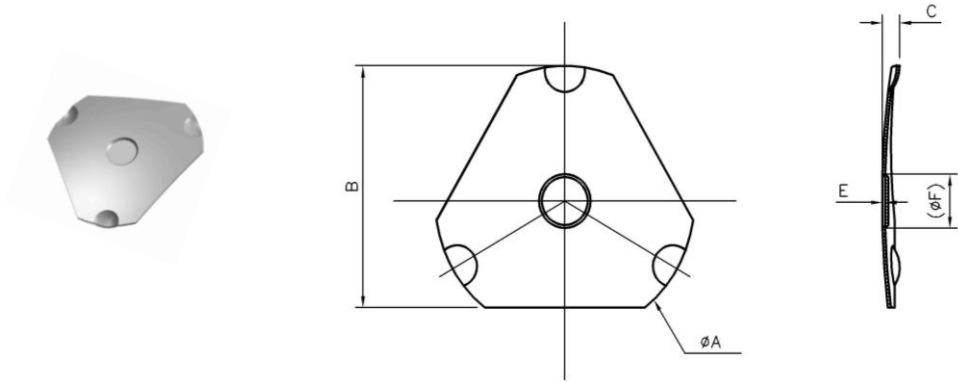
Information up to 15/01/2017.

All dimensions in millimeter unless otherwise specified.

Dimensions in brackets are the design value, there may be a slight difference in actual product.

All dimensions subject to change without any notice.

TDF



Outer Diameter ϕA	Part No.	Material Thickness	Body Width B	Height C	Dimple Depth E	Dimple Diameter ϕF	Trip Force	Plating	Contact Life cycle	PCB Layout Suggestion	
										Single Sided	Double Sided
	DN 10-TDF-400	0.10	9.25	0.61 ± 0.05	0.10 ± 0.05	($\phi 1.6$)	400 g ± 30	nickel on both side	>500,000	TBA	TBA

REMARK:

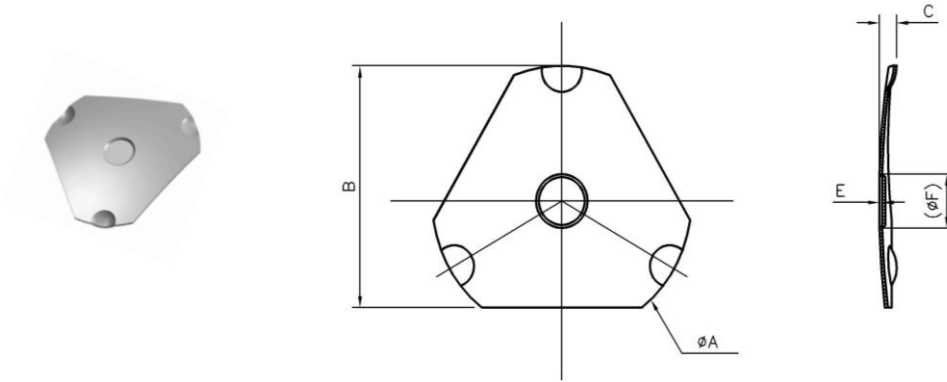
Information up to 15/01/2017.

All dimensions in millimeter unless otherwise specified.

Dimensions in brackets are the design value, there may be a slight difference in actual product.

All dimensions subject to change without any notice.

TDF



Outer Diameter ØA	Part No.	Material Thickness	Body Width B	Height C	Dimple Depth E	Dimple Diameter ØF	Trip Force	Plating	Contact Life cycle	PCB Layout Suggestion	
										Single Sided	Double Sided
10 mm	SG 10-TDF-280	0.10	9.25	0.58 ±0.05	0.08 ±0.05	(Ø 1.6)	280 g ±30	gold on contact side	>1,000,000	TBA	TBA
	SG 10-TDF-300	0.10	9.25	0.59 ±0.05	0.10 ±0.05	(Ø 1.6)	300 g ±30	gold on contact side	TBA	TBA	TBA
	SG 10-TDF-350	0.10	9.25	0.60 ±0.05	0.08 ±0.05	(Ø 1.6)	350 g ±30	gold on contact side	TBA	TBA	TBA
	SG 10-TDF-400	0.10	9.25	0.63 ±0.05	0.10 ±0.05	(Ø 1.6)	400 g ±30	gold on contact side	TBA	TBA	TBA
12 mm	12-TDF-200	0.12	11.25	0.60 ±0.05	0.08 ±0.05	(Ø 1.6)	200 g ±30	bare	TBA	TBA	TBA
	12-TDF-240	0.12	11.25	0.61 ±0.05	0.08 ±0.05	(Ø 1.6)	240 g ±30	bare	TBA	TBA	TBA
	12-TDF-280	0.12	11.25	0.62 ±0.05	0.08 ±0.05	(Ø 1.6)	280 g ±30	bare	TBA	TBA	TBA
	12-TDF-340	0.12	11.25	0.65 ±0.05	0.10 ±0.05	(Ø 1.6)	340 g ±30	bare	TBA	TBA	TBA
	12-TDF-350	0.12	11.25	0.65 ±0.05	0.10 ±0.05	(Ø 1.6)	350 g ±30	bare	TBA	TBA	TBA
	12-TDF-400	0.12	11.25	0.66 ±0.05	0.12 ±0.05	(Ø 1.6)	400 g ±30	bare	>1,000,000	TBA	TBA
	DN 12-TDF-200	0.12	11.25	0.60 ±0.05	0.12 ±0.05	(Ø 1.6)	200 g ±30	nickel on both side	TBA	TBA	TBA
	DN 12-TDF-280	0.12	11.25	0.62 ±0.05	0.08 ±0.05	(Ø 1.6)	280 g ±30	nickel on both side	>1,000,000	TBA	TBA
	DN 12-TDF-350	0.12	11.25	0.65 ±0.05	0.12 ±0.05	(Ø 1.6)	350 g ±30	nickel on both side	>1,000,000	TBA	TBA
	SG 12-TDF-400	0.12	11.25	0.67 ±0.05	0.12 ±0.05	(Ø 1.6)	400 g ±30	gold on contact side	TBA	TBA	TBA
15.2 mm	DN 15.2-TDF-450	0.12	13.90	0.75 ±0.05	0.12 ±0.05	(Ø 2.5)	450 g ±30	nickel on both side	>200,000	TBA	TBA

REMARK:

Information up to 15/01/2017.

All dimensions in millimeter unless otherwise specified.

Dimensions in brackets are the design value, there may be a slight difference in actual product.

All dimensions subject to change without any notice.