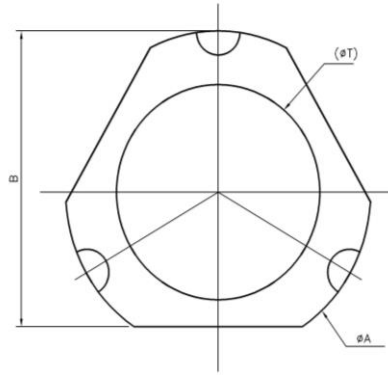
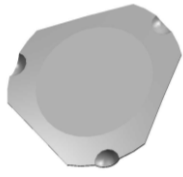


TNF-TOP



Outer Diameter ØA	Part No.	Material Thickness	Body Width B	Height C	Flat Top Dia. ØT	Trip Force	Plating	Contact Life cycle	PCB Layout Suggestion	
									Single Sided	Double Sided
12 mm	12-TNF-TOP-400	0.10	11.00	0.71 ±0.05	(Ø 8.0)	400 g ±30	bare	TBA	TBA	TBA
	DN 12-TNF-TOP-500	0.12	11.00	0.76 ±0.05	(Ø 8.0)	500 g ±30	nickel on both side	>1,000,000	TBA	TBA

REMARK:

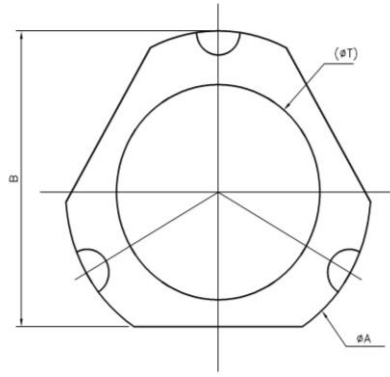
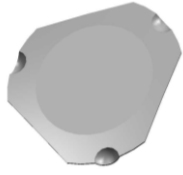
Information up to 15/01/2017.

All dimensions in millimeter unless otherwise specified.

Dimensions in brackets are the design value, there may be a slight difference in actual product.

All dimensions subject to change without any notice.

TNF-TOP



Outer Diameter ØA	Part No.	Material Thickness	Body Width B	Height C	Flat Top Dia. ØT	Trip Force	Plating	Contact Life cycle	PCB Layout Suggestion	
									Single Sided	Double Sided

REMARK:

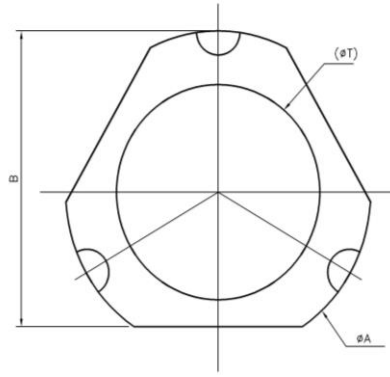
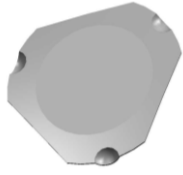
Information up to 15/01/2017.

All dimensions in millimeter unless otherwise specified.

Dimensions in brackets are the design value, there may be a slight difference in actual product.

All dimensions subject to change without any notice.

TNF-TOP



Outer Diameter ØA	Part No.	Material Thickness	Body Width B	Height C	Flat Top Dia. ØT	Trip Force	Plating	Contact Life cycle	PCB Layout Suggestion	
									Single Sided	Double Sided

REMARK:

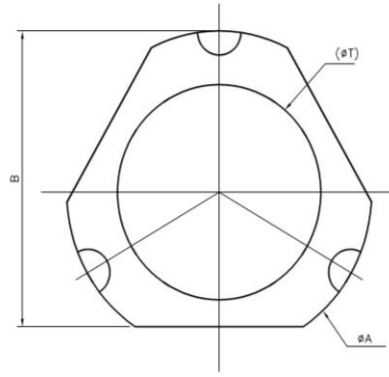
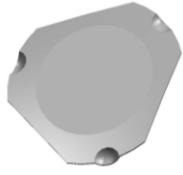
Information up to 15/01/2017.

All dimensions in millimeter unless otherwise specified.

Dimensions in brackets are the design value, there may be a slight difference in actual product.

All dimensions subject to change without any notice.

TNF-TOP



Outer Diameter ØA	Part No.	Material Thickness	Body Width B	Height C	Flat Top Dia. ØT	Trip Force	Plating	Contact Life cycle	PCB Layout Suggestion	
									Single Sided	Double Sided

1E+06

0.99

REMARK:
 Information up to 15/01/2017.
 All dimensions in millimeter unless otherwise specified.
 Dimensions in brackets are the design value, there may be a slight difference in actual product.
 All dimensions subject to change without any notice.