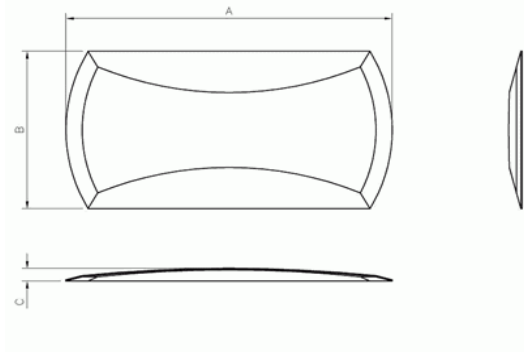


ONN



Outer Diameter ØA	Part No.	Material Thickness	Body Length A	Body Width B	Height C	Trip Force	Plating	Contact Life Cycle
5.6 mm	5.6-ONN-180	0.06	4.20	5.60	0.29 ±0.05	180 g ±30	bare	TBA
	DN 5.6-ONN-80	0.06	4.20	5.60	0.29 ±0.05	80 g ±30	nickel on both side	TBA
11.05 mm	11.05-ONN-240 (3.2M)	0.06	11.05	5.60	0.55 ±0.10	240 g ±30	bare	>1,000,000
	DN 11.05-ONN-240 (3.2M)	0.06	11.05	5.60	0.50 ±0.05	240 g ±30	nickel on both side	>1,000,000
	DN 11.05-ONN-360 (3.2M)	0.06	11.05	5.60	0.58 ±0.05	360 g ±30	nickel on both side	TBA
17.78 mm	17.78-ONN-280	0.08	17.78	8.89	0.76 ±0.05	280 g ±30	bare	TBA
	17.78-ONN-350	0.08	17.78	8.89	0.81 ±0.05	350 g ±30	bare	>1,000,000
	DN 17.78-ONN-280	0.08	17.78	8.89	0.85 ±0.05	280 g ±30	nickel on both side	>1,000,000
	DN 17.78-ONN-350	0.08	17.78	8.89	0.81 ±0.05	350 g ±30	nickel on both side	>1,000,000
	DN 17.78-ONN-450	0.10	17.78	8.89	0.92 ±0.05	450 g ±30	nickel on both side	>1,000,000
25.4 mm	25.4-ONN-290	0.10	25.40	12.80	0.85 ±0.05	290 g ±30	bare	>1,000,000
	25.4-ONN-350	0.10	25.40	12.80	1.03 ±0.07	350 g ±30	bare	>1,000,000
	DN 25.4-ONN-350	0.12	25.40	12.80	0.90 ±0.07	350 g ±30	nickel on both side	>1,000,000
	SG 25.4-ONN-350	0.12	25.40	12.80	0.90 ±0.07	350 g ±30	gold on contact side	TBA
28.2 mm	28.2-ONN-470	0.12	28.20	14.50	1.15 ±0.10	470 g ±30	bare	TBA

REMARK:

Information up to 24/09/2020.

All dimensions in millimeter unless otherwise specified. Dimensions in brackets are the design value, there may be a slight difference in actual product.

All dimensions subject to change without any notice.