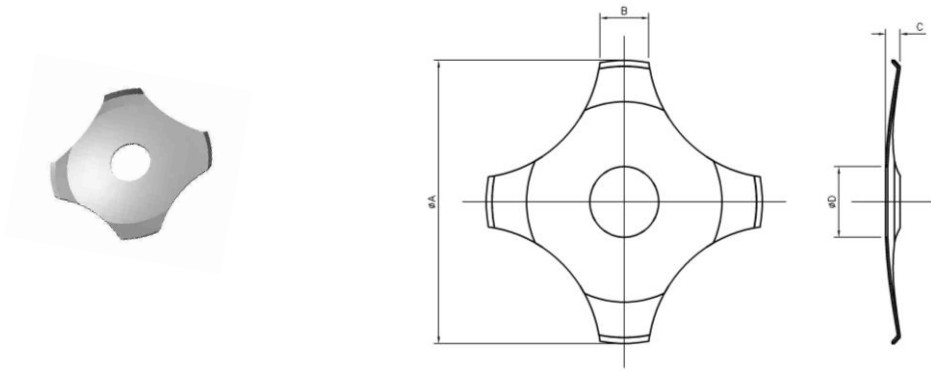


4-LEG-H



Outer Diameter ØA	Part No.	Material Thickness	Leg Width B	Height C	Hole Diameter ØD	Trip Force	Plating	Contact Life cycle	PCB Layout Suggestion	
									Single Sided	Double Sided
10 mm	10-4-LEG-H-280	0.10	2.28	0.52 ±0.05	Ø2.50	280 g ±30	bare	>1,000,000	TBA	TBA
	10-4-LEG-H-350	0.10	2.28	0.54 ±0.05	Ø2.50	350 g ±30	bare	TBA	TBA	TBA
	DN 10-4-LEG-H-280	0.10	2.28	0.45 ±0.05	Ø2.50	280 g ±30	nickel on both side	TBA	TBA	TBA
	SG 10-4-LEG-H-280	0.10	2.28	0.52 ±0.05	Ø2.50	280 g ±30	gold on contact side	TBA	TBA	TBA
	SG 10-4-LEG-H-320	0.10	2.28	0.48 ±0.05	Ø2.50	320 g ±30	gold on contact side	TBA	TBA	TBA
12 mm	12-4-LEG-H-350	0.10	2.12	0.65 ±0.05	Ø3.00	350 g ±30	bare	>1,000,000	TBA	TBA
	12-4-LEG-H3-400	0.11	2.12	0.71 ±0.05	Ø3.00	400 g ±30	bare	TBA	TBA	TBA
	12-4-LEG-H3-450	0.11	2.12	0.75 ±0.05	Ø3.00	450 g ±50	bare	TBA	TBA	TBA
	DN 12-4-LEG-H-350	0.10	2.12	0.63 ±0.05	Ø3.00	350 g ±30	nickel on both side	TBA	TBA	TBA
	DN 12-4-LEG-H-420	0.10	2.12	0.67 ±0.05	Ø3.00	420 g ±30	nickel on both side	TBA	TBA	TBA
	SG 12-4-LEG-H-350	0.10	2.12	0.65 ±0.05	Ø3.00	350 g ±30	gold on contact side	TBA	TBA	TBA
	SG 12-4-LEG-H-420	0.10	2.12	0.67 ±0.05	Ø3.00	420 g ±30	gold on contact side	>100,000	TBA	TBA
14 mm	DN 14-4-LEG-H-400	0.12	2.79	0.72 ±0.05	Ø3.50	400 g ±30	bare	>400,000	TBA	TBA

REMARK:

Information up to 15/01/2017.

All dimensions in millimeter unless otherwise specified.

Dimensions in brackets are the design value, there may be a slight difference in actual product.

All dimensions subject to change without any notice.